

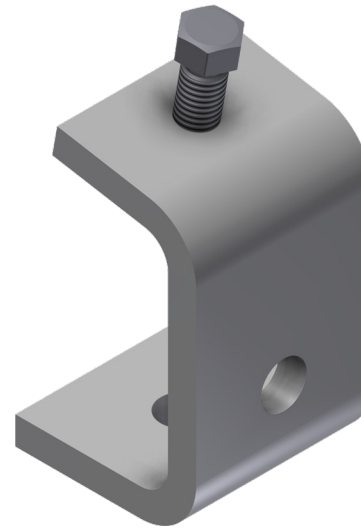
INTENDED USE

UNO bracket for connecting U-41 UNO sections to H-beams.

INSTRUCTION FOR USE

Fix minimum two beam clamps to the UNO channel using UNO nuts or UNO card in the channel. Attach the beam clamp to the beam. Adjust and tighten the bolt securely.

UNO Beam Clamp D-86



Typical installation

