

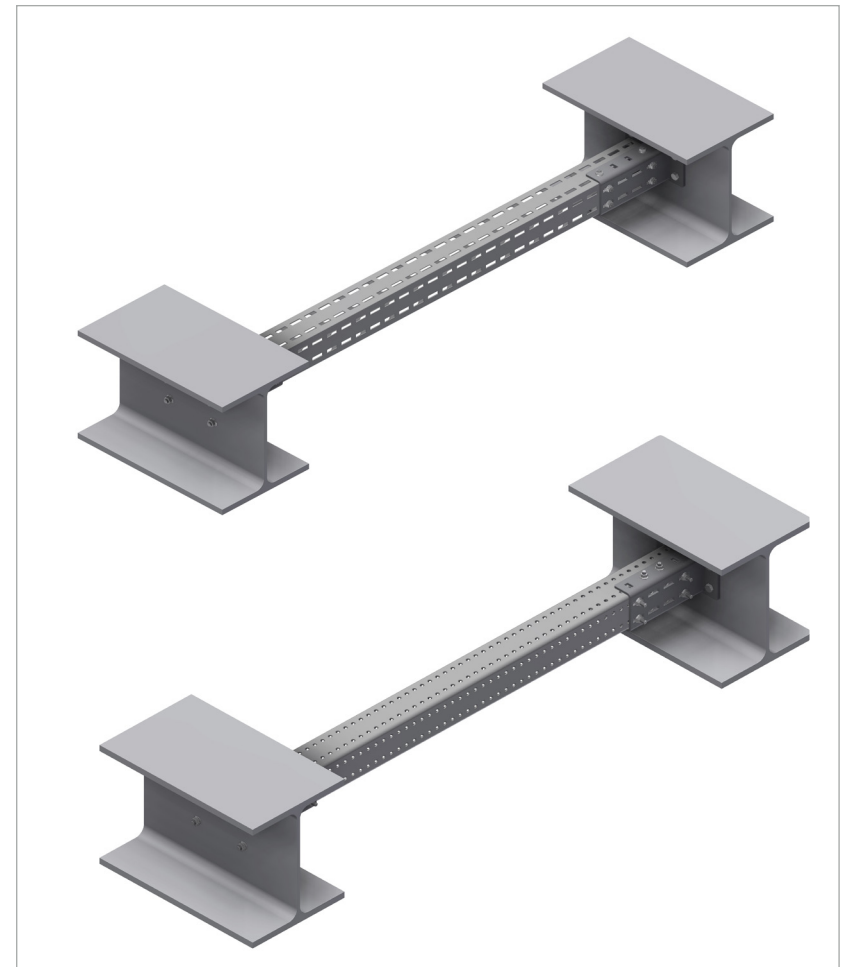
INTENDED USE

Open sided starter bracket allowing supports to be added in between elements. For supports where both sides are restrained. Compatible with all Mekano® CH100 channel.

INSTRUCTION FOR USE

Attach to structure using suitably graded M12 bolts. We recommend using Øglænd System metric anti vibration flange nuts. Depending on the type, tighten to the specified torque.

Cut the channel to suit and insert in the open ends of the starters. Fix with self-locking bolts in the slotted holes on the back plate. Adjust and secure tightly.



User Guide for Bolts:
Recommended Torque