

INTENDED USE

SmartCleit+ typically used to hold high voltage trefoil and single cables in place during operation, and during short circuit events. Optimized design for large rigid cables up to 150mm in outer diameter.

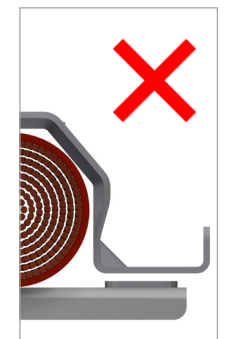
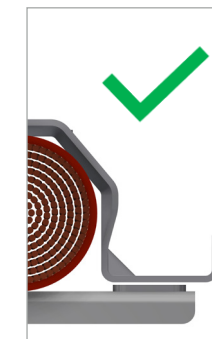
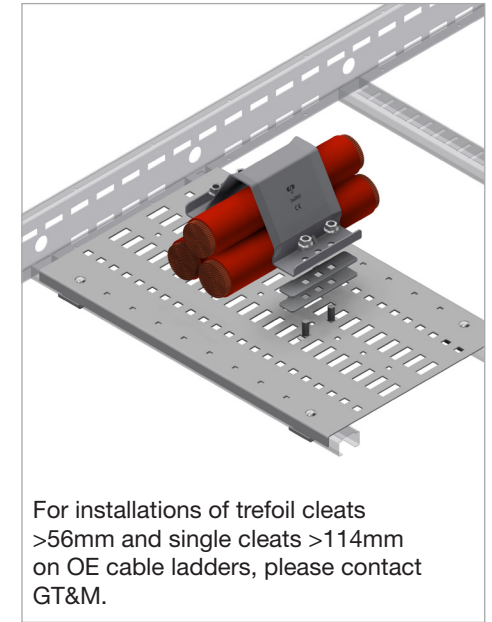
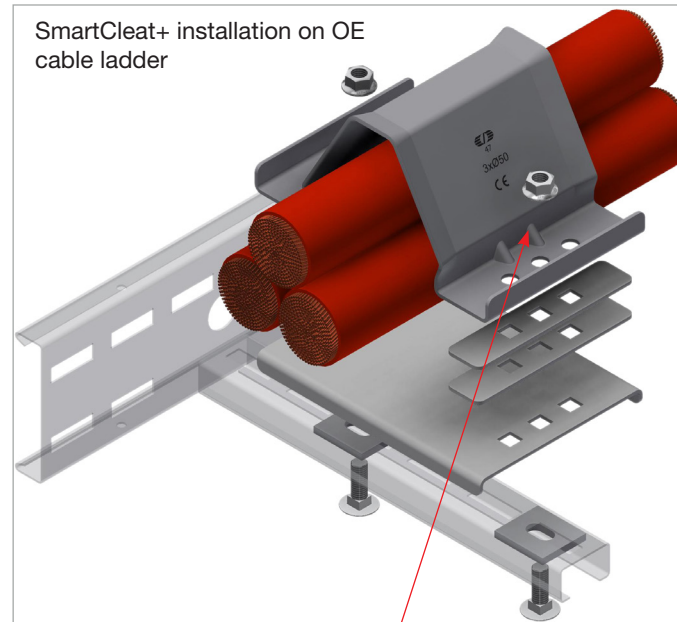
INSTRUCTION FOR USE

Before the installation make sure that the suitable adapter is used for the particular cleat-support combination. For more information on our cleat adapters please refer to ØI-RD-UG-EN-0436 SmartCleit Adapter Matrix.

1. Install and arrange the cables on the OE cable ladder.
2. Slide the base plate underneath the cables.
3. Determine the correct number of shim-plates. Stack them on top of each other in pairs and position them loosely on top of the base plate such that the holes match.
4. Place the cleat on top of the cable(s).
5. Fit the washer inside the rung.
6. Insert the M10 fasteners through the assembly according to the illustrations on the right. Adjust and tighten securely the locking bolts to 40Nm.

EXAMPLE OF SHIM PLATE EFFECT ON 150MM SIZE CLEAT

1xØ150 cleat		3xØ150cleat	
1xØ cable (mm)	Number of pairs of shim plates	3XØ cable (mm)	Number of pairs of shim plates
147	0	N/A	N/A
148	0	148	0
149	1	149	1
150	1	150	2
151	2	151	3
152	2	152	3
153	3	N/A	N/A



To assure a secure fit of the cable(s), a clearance greater than zero and less than the thickness of one shim-plate is recommended.

One additional pair of shim plates is needed if the clearance is larger than the thickness of one shim plate (2.5mm).