

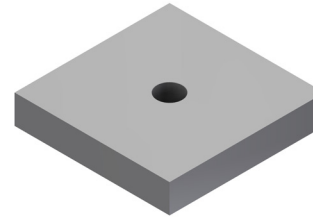
INTENDED USE

FRP UNO bracket for connecting FRP UNO sections together.

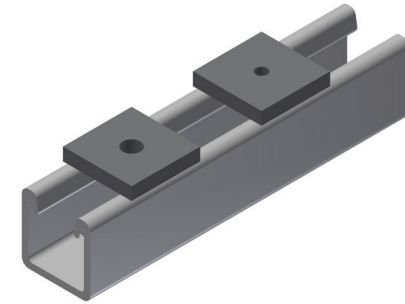
INSTRUCTION FOR USE

Fix FRP UNO nuts in the channel.
Attach the bracket connecting the sections.
Adjust and tighten securely.

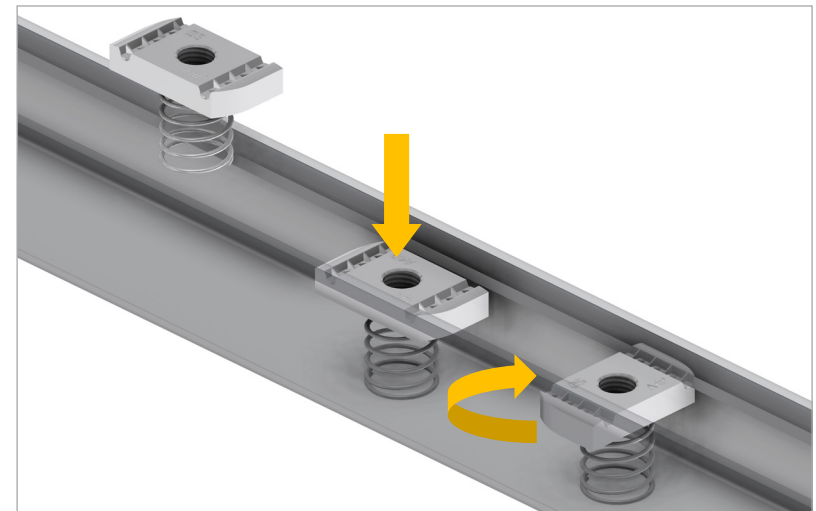
UNO Square Washer UNO WA



Typical installation



Fitting UNO nut with spring



User Guide for Bolts:
Recommended Torque