

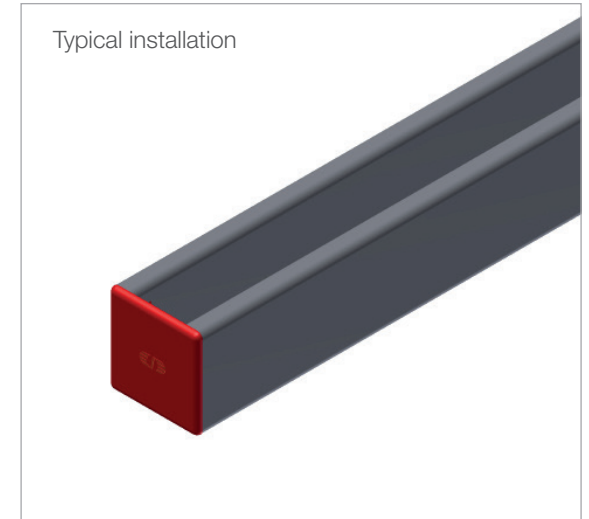
INTENDED USE

High visibility UNO end cap for covering free ends of UNO channels. Suits 2mm SS and 2,5mm HDG. Also for Hilti MQ

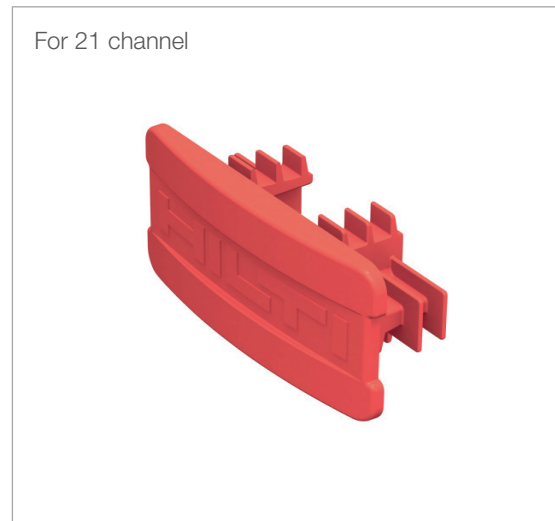
INSTRUCTION FOR USE

Tap into place on the open end.
The end cap is one-time use. If removed, replace with new.

Typical installation



For 21 channel



For 41 channel

