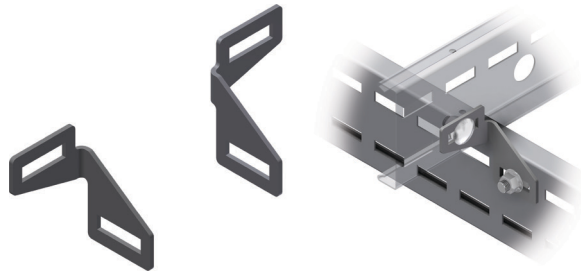


## INTENDED USE

- For clamping the OE ladder to the CH100-1 Meko support channel (see Pic. 1 & 2). It can also be used to connect the OE ladder to the CH100-2T Meko support channel (see Pic. 3 & 4).
- The Twisted Fixing Clamp is supplied in pairs - one for each side of the cable ladder.

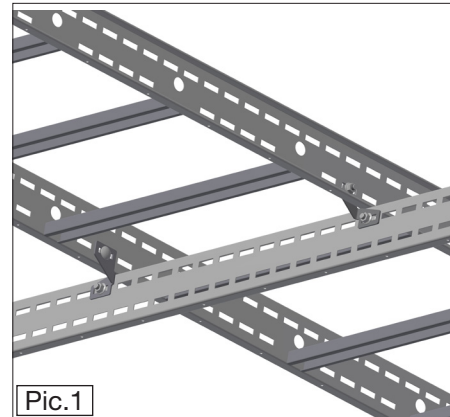


## INSTRUCTION FOR USE

- Attach the Twisted Fixing Clamp to the OE ladder and the Meko support channel using M10 bolts.
- Adjust to desired position and tighten securely.

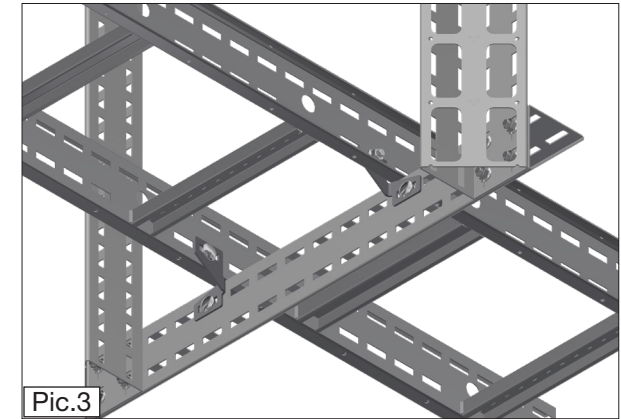


User Guide for Bolts:  
Recommended Torque



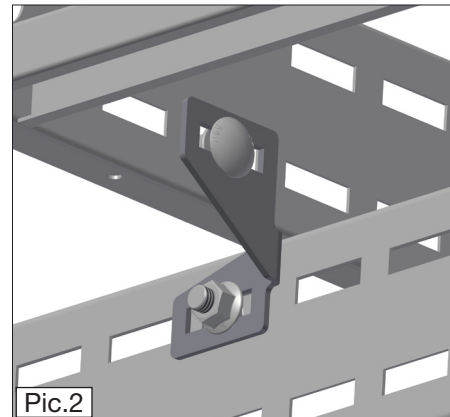
Pic.1

Installation of OE ladder to CH100-1 Meko support channel



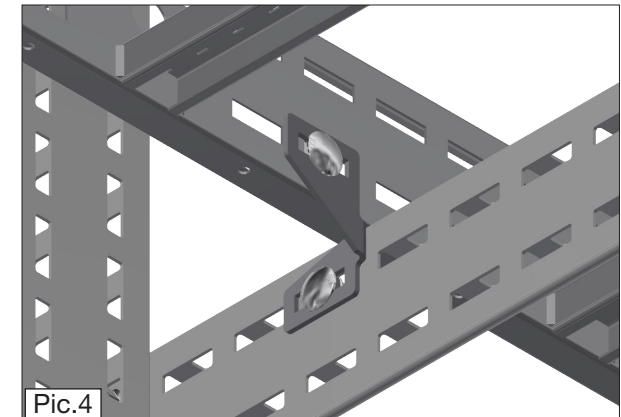
Pic.3

Installation of OE ladder to CH100-2T Meko support channel



Pic.2

Detailed view of the Twisted Fixing Clamp connection between the OE ladder and the CH100-1 Meko support channel.



Pic.4

Detailed view of the Twisted Fixing Clamp connection between the OE ladder and the CH100-2T Meko support channel.