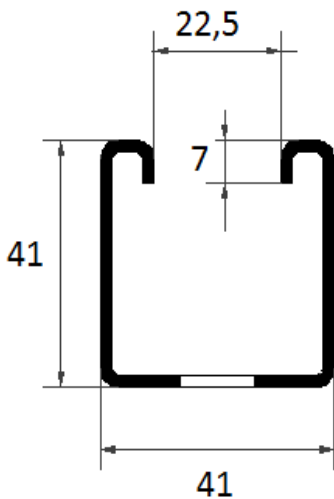
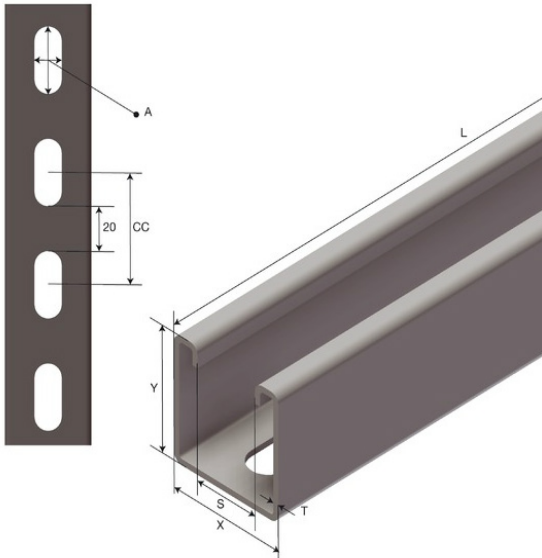


PRODUCT CALCULATION BASIS

UNO U-41-1-P 2mm



Material Data

Material	AISI 316L
Weight (kg/m)	2,13

Dimensional Data

L - Length (mm)	3000/6000
T - Thickness (mm)	2,0
X - (mm)	41
Y - (mm)	41
A - Hole size (mm)	13x30
S - Spacing (mm)	22,5
CC - (mm)	50

Mechanical Properties

A_E Effective cross-section area (mm ²)	261
I_{TE} Effective moment of inertia, torsion (mm ⁴)	355
I_{XE} Effective moment of inertia, bending about X-axis (mm ⁴)	53 250
I_{YE} Effective moment of inertia, bending about Y-axis (mm ⁴)	76 820
W_{XP} Moment of resistance, bending about X-axis, perforated (mm ³)	2 495
W_{YP} Moment of resistance, bending about Y-axis, perforated (mm ³)	3 747
C_{TP} Moment of resistance, torsion, perforated (mm ³)	177