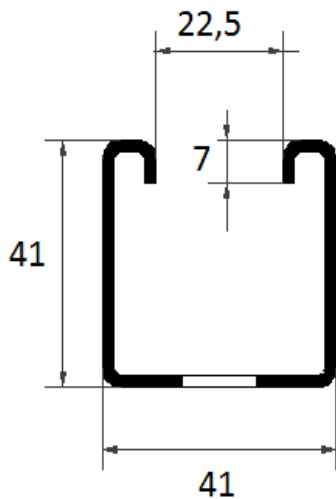
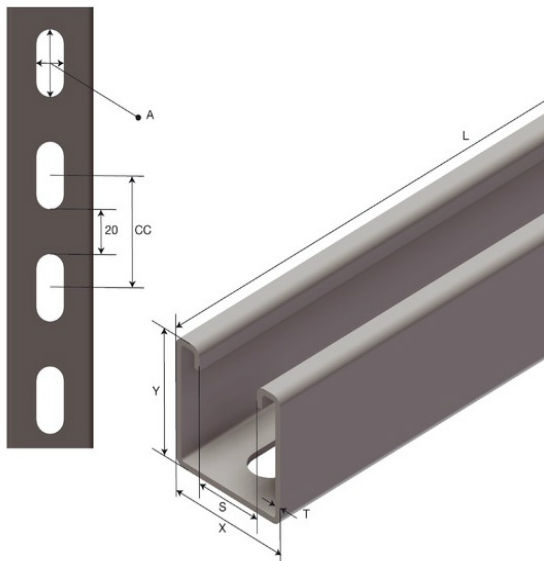


# PRODUCT CALCULATION BASIS

## UNO U-41-1-P 2.5mm



### Material Data

Material	S275
Weight (kg/m)	2,73

### Dimensional Data

L - Length (mm)	3000/6000
T - Thickness (mm)	2,5
X - (mm)	41
Y - (mm)	41
A - Hole size (mm)	13x30
S - Spacing (mm)	22,5
CC - (mm)	50

### Mechanical Properties

$A_E$ Effective cross-section area (mm <sup>2</sup> )	317
$I_{TE}$ Effective moment of inertia, torsion (mm <sup>4</sup> )	674
$I_{XE}$ Effective moment of inertia, bending about X-axis (mm <sup>4</sup> )	62 340
$I_{YE}$ Effective moment of inertia, bending about Y-axis (mm <sup>4</sup> )	91 710
$W_{XP}$ Moment of resistance, bending about X-axis, perforated (mm <sup>3</sup> )	2 831
$W_{YP}$ Moment of resistance, bending about Y-axis, perforated (mm <sup>3</sup> )	4 474
$C_{TP}$ Moment of resistance, torsion, perforated (mm <sup>3</sup> )	270