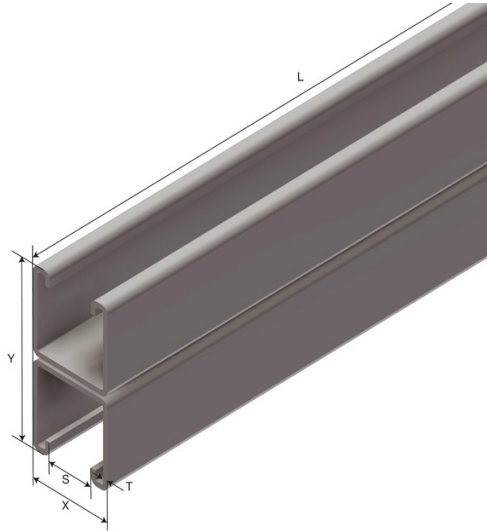


PRODUCT CALCULATION BASIS

UNO Double U-41-2 2mm



Material Data	
Material	AISI 316L
Weight (kg/m)	4,46

Dimensional Data	
L - Length (mm)	3000/6000
T - Thickness (mm)	2,0
X - (mm)	41
Y - (mm)	82
S - Spacing (mm)	22,5

Mechanical Properties	
A_E Effective cross-section area (mm ²)	554
I_{TE} Effective moment of inertia, torsion (mm ⁴)	779
I_{XE} Effective moment of inertia, bending about X-axis (mm ⁴)	323 070
I_{YE} Effective moment of inertia, bending about Y-axis (mm ⁴)	154 370
W_{XP} Moment of resistance, bending about X-axis (mm ³)	7 692
W_{YP} Moment of resistance, bending about Y-axis (mm ³)	7 530
C_{TP} Moment of resistance, torsion (mm ³)	389

