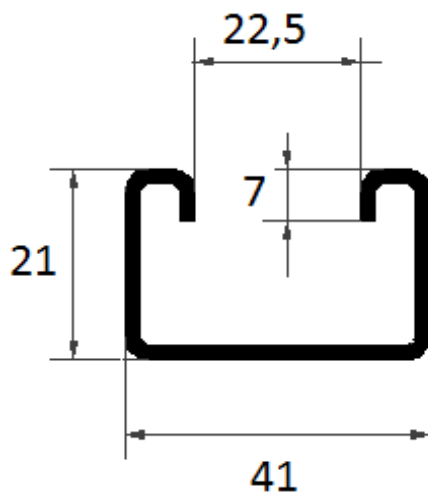
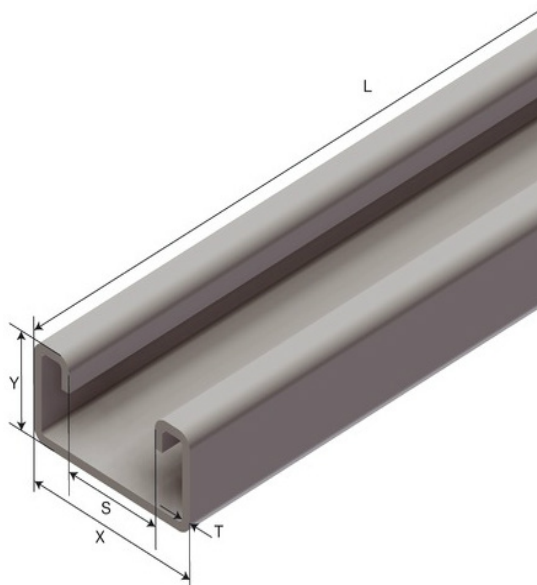


PRODUCT CALCULATION BASIS

UNO U-21-1 2mm



Material Data

Material	AISI 316L
Weight (kg/m)	1,58

Dimensional Data

L - Length (mm)	6000
T - Thickness (mm)	2,0
X - (mm)	41
Y - (mm)	21
S - Spacing (mm)	22,5

Mechanical Properties

A_E Effective cross-section area (mm ²)	197
I_{TE} Effective moment of inertia, torsion (mm ⁴)	283
I_{XE} Effective moment of inertia, bending about X-axis (mm ⁴)	11 550
I_{YE} Effective moment of inertia, bending about Y-axis (mm ⁴)	46 740
W_{XP} Moment of resistance, bending about X-axis (mm ³)	944
W_{YP} Moment of resistance, bending about Y-axis (mm ³)	2 280
C_{TP} Moment of resistance, torsion, perforated (mm ³)	141