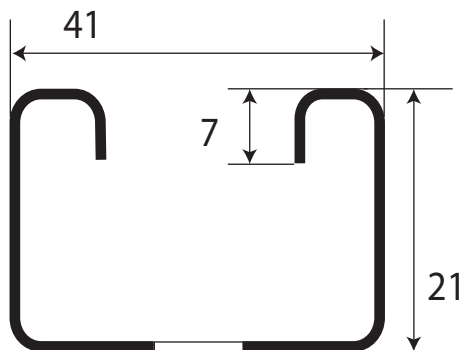
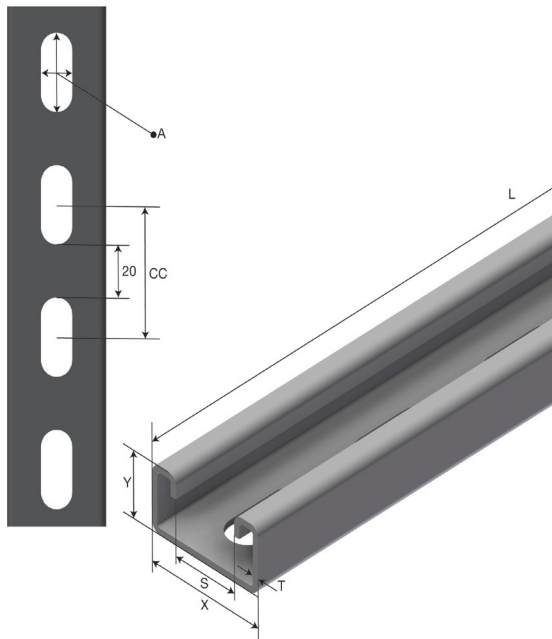


PRODUCT CALCULATION BASIS

UNO U-21-1-P 2mm



Material Data

Material	AISI 316L
Weight (kg/m)	1,48

Dimensional Data

L - Length (mm)	3000/6000
T - Thickness (mm)	2,0
X - (mm)	41
Y - (mm)	21
A - Hole size (mm)	13x30
S - Spacing (mm)	22,5
CC - (mm)	50

Mechanical Properties

A_E Effective cross-section area (mm ²)	197
I_{TE} Effective moment of inertia, torsion (mm ⁴)	248
I_{XE} Effective moment of inertia, bending about X-axis (mm ⁴)	9 740
I_{YE} Effective moment of inertia, bending about Y-axis (mm ⁴)	46 370
W_{XP} Moment of resistance, bending about X-axis (mm ³)	837
W_{YP} Moment of resistance, bending about Y-axis (mm ³)	2 262
C_{TP} Moment of resistance, torsion, perforated (mm ³)	124