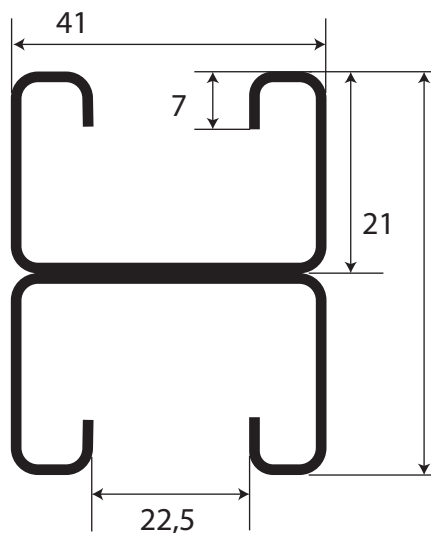
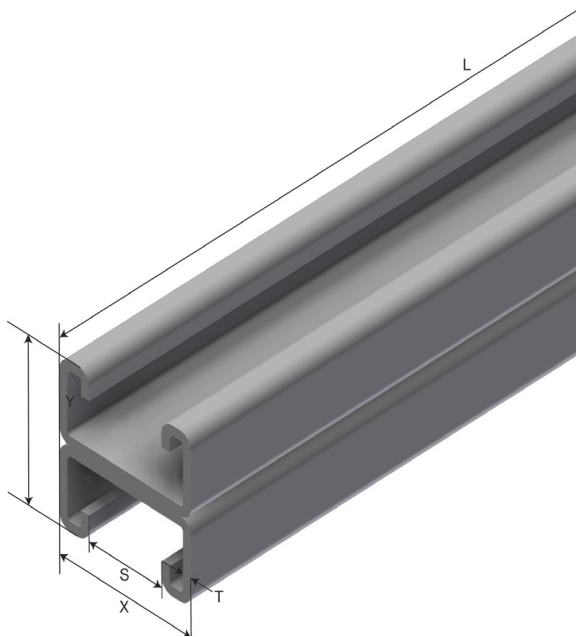


PRODUCT CALCULATION BASIS

UNO Double U-21-2 2.5mm



Material Data

Material	S275
Weight (kg/m)	3,82

Dimensional Data

L - Length (mm)	6000
T - Thickness (mm)	2,5
X - (mm)	41
Y - (mm)	42
S - Spacing (mm)	22,5

Mechanical Properties

A_E Effective cross-section area (mm ²)	474
I_{TE} Effective moment of inertia, torsion (mm ⁴)	1 094
I_{XE} Effective moment of inertia, bending about X-axis (mm ⁴)	67 940
I_{YE} Effective moment of inertia, bending about Y-axis (mm ⁴)	110 110
W_{XP} Moment of resistance, bending about X-axis (mm ³)	3 088
W_{YP} Moment of resistance, bending about Y-axis (mm ³)	5 371
C_{TP} Moment of resistance, torsion, perforated (mm ³)	438