

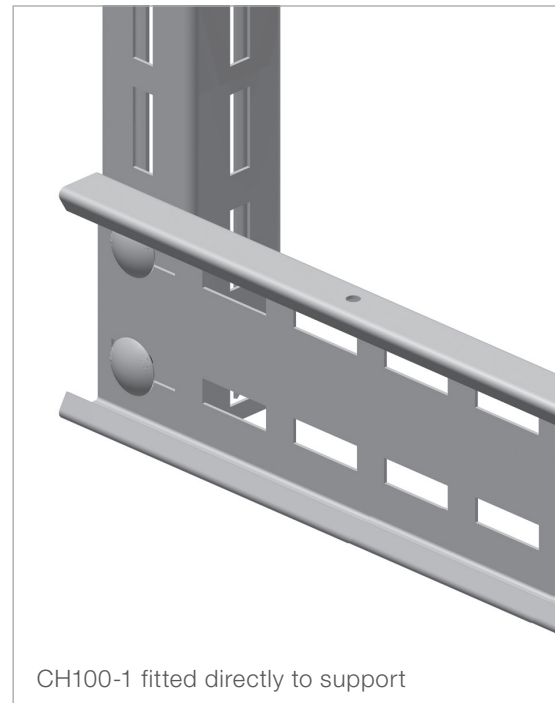
INTENDED USE

Mekano® CH100-1 is a C-shaped, light and versatile channel suitable for supporting light to medium loads for electro, instrumentation and HVAC applications.

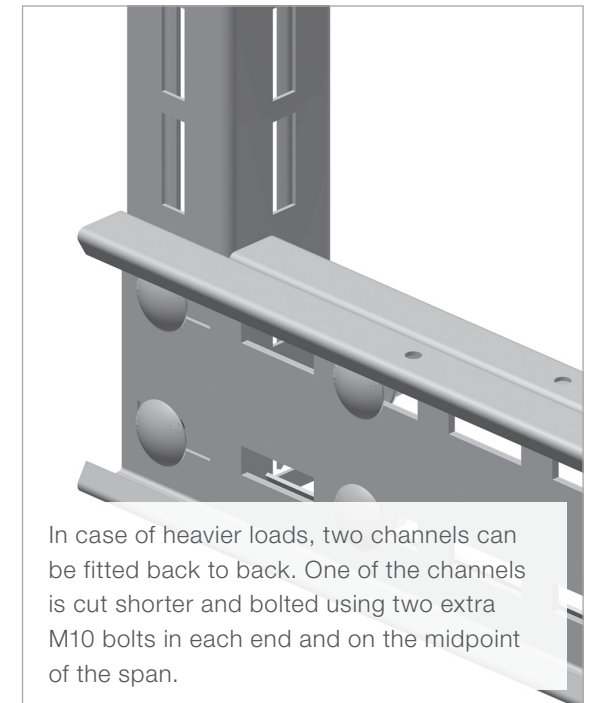
INSTRUCTION FOR USE

Mekano® CH100-1 channel is fixed directly to the support using M10 self locking bolts. Two channels can be fitted back to back for heavier loads.

Attach the parts loosely with self locking bolts, adjust and tighten securely.



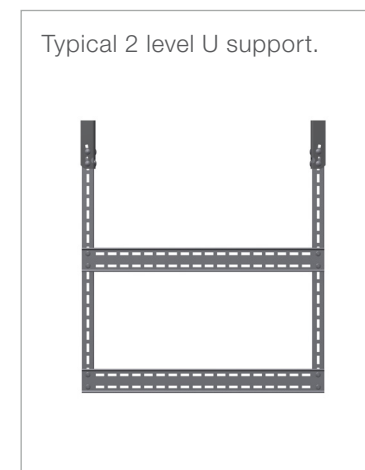
CH100-1 fitted directly to support



In case of heavier loads, two channels can be fitted back to back. One of the channels is cut shorter and bolted using two extra M10 bolts in each end and on the midpoint of the span.



Typical multidiscipline support.



Typical 2 level U support.



OE100 End Protection can also be used on Mekano® Channel 100-1.



User Guide for Bolts:
Recommended Torque