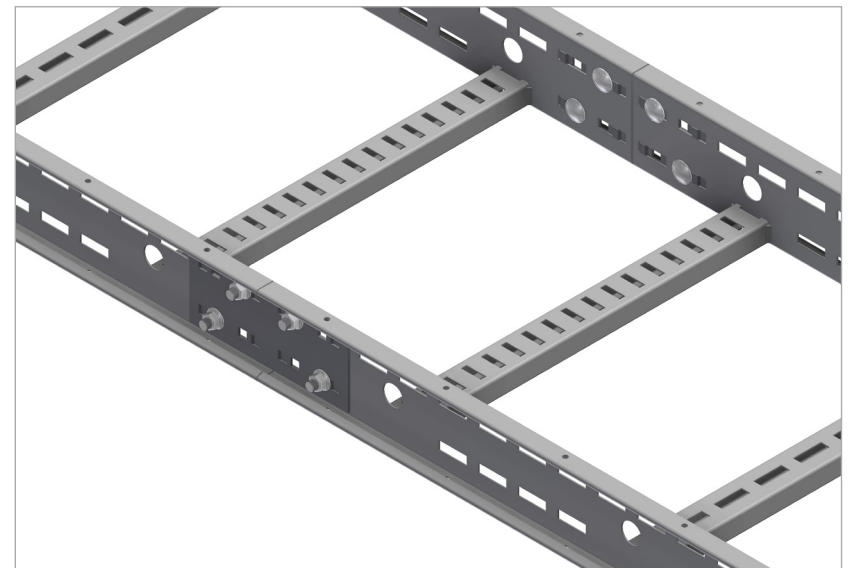
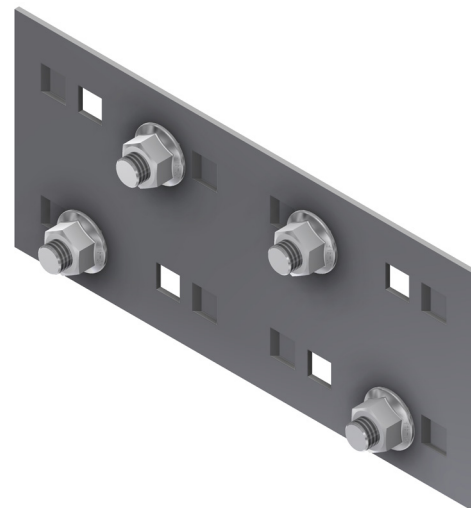
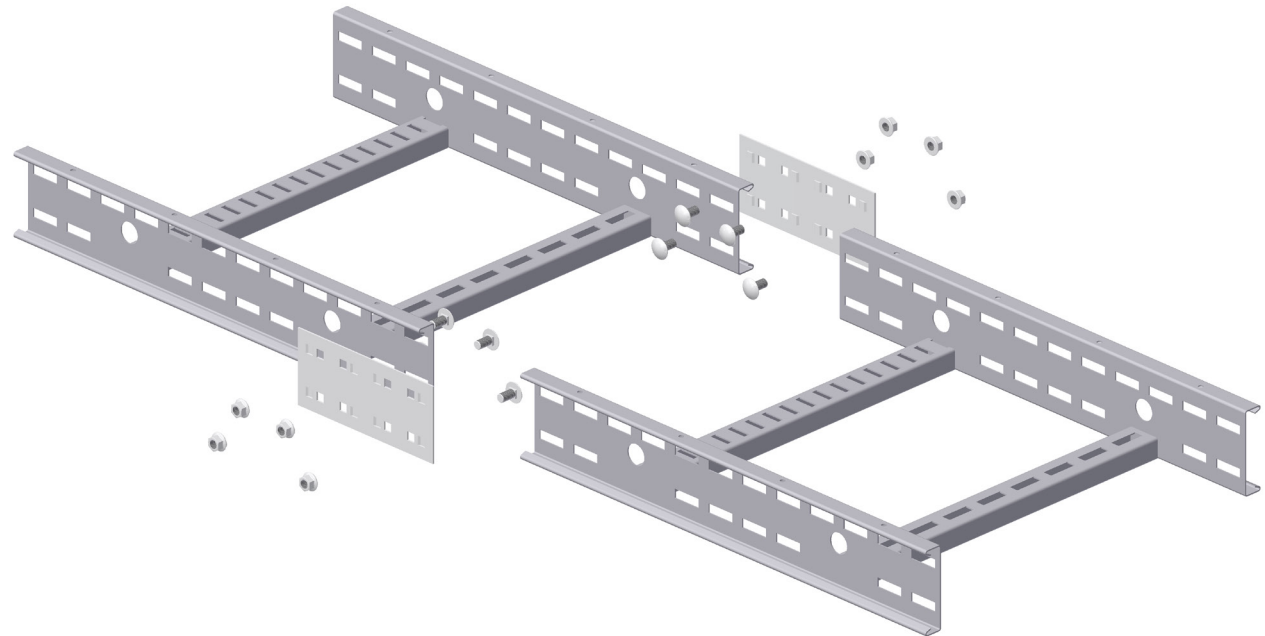


## INTENDED USE

OE Splice connectors with notches are used to connect sections which do not have integral splice connections. Splice connectors in SS have notches which fit into the slots in the side rail to prevent deflection.

## INSTRUCTION FOR USE

Attach the Splice loosely with self locking bolts in the recommended pattern shown below. Adjust, then tighten securely. All loading and conductivity testing according to IEC 61537 for OE ladders in stainless steel were performed using this arrangement.



User Guide for Bolts:  
Recommended Torque