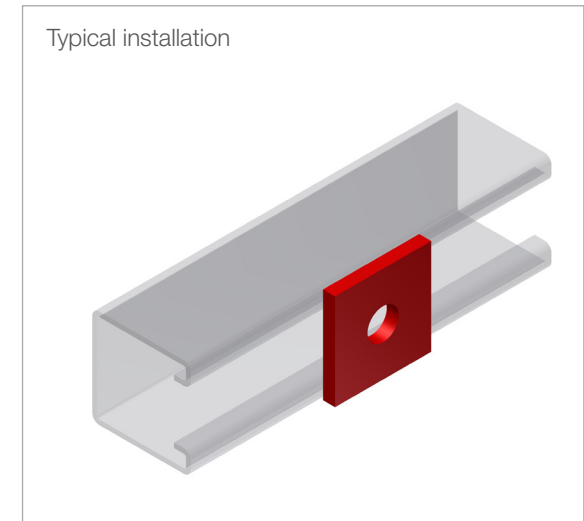
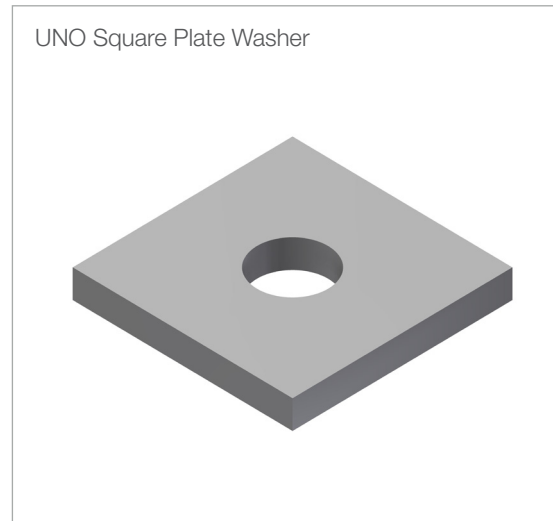


INTENDED USE

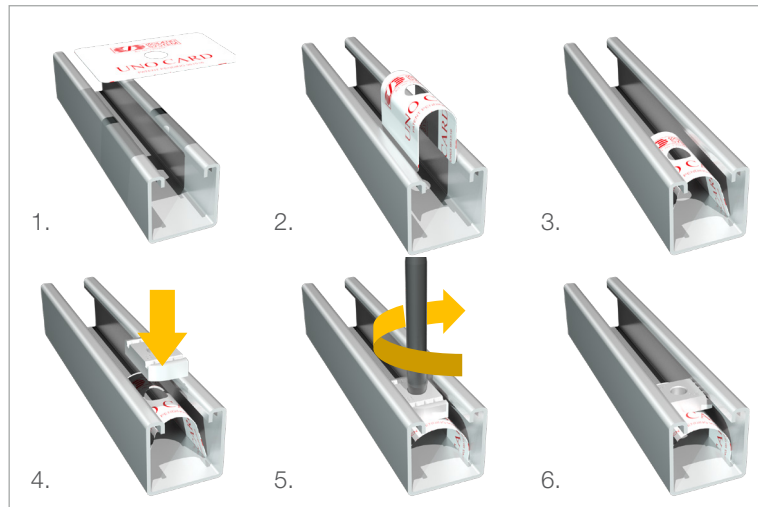
Universal washer for fitting over UNO profiles for attaching bolts or threaded rod.

INSTRUCTION FOR USE

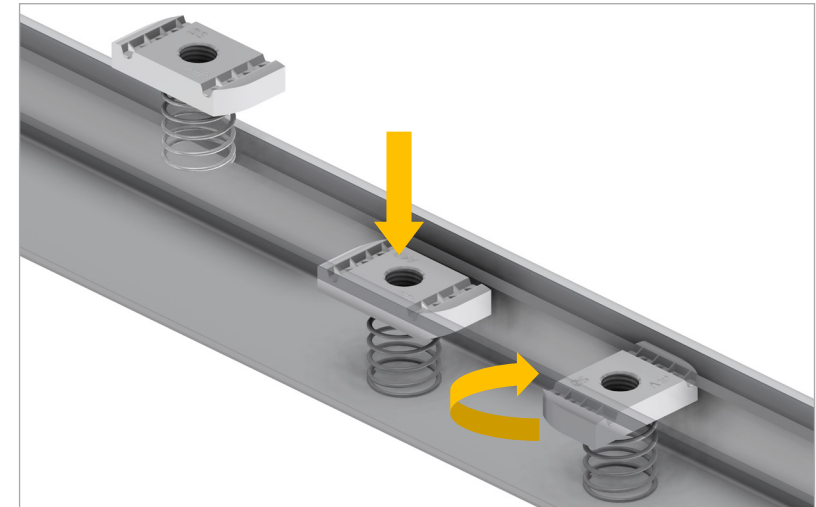
Attach the bolt / threaded rod through the washer. Adjust and tighten securely.



Fitting UNO nut with UNO card



Fitting UNO nut with spring



User Guide for Bolts:
Recommended Torque