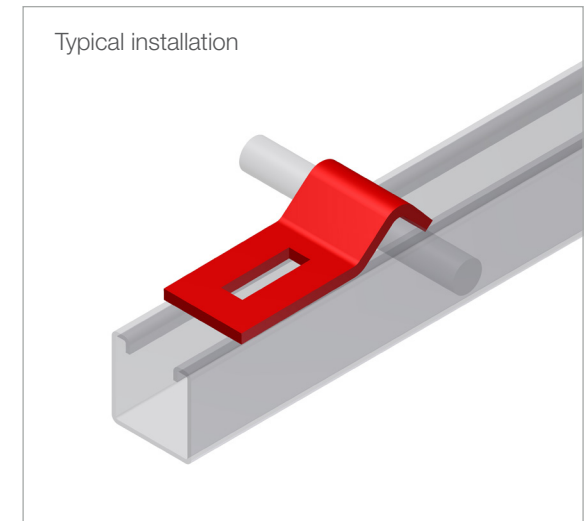


INTENDED USE

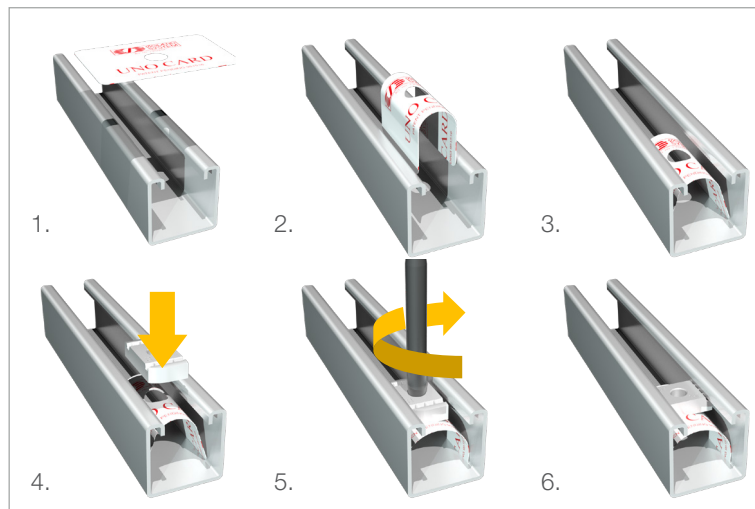
UNO bracket for connecting tubing directly to UNO sections.

INSTRUCTION FOR USE

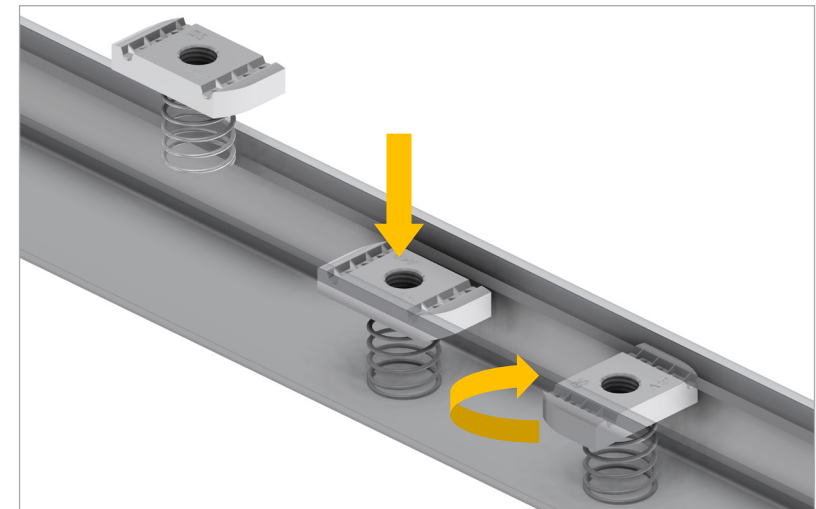
Fix UNO nuts or UNO card in the channel.
Attach the bracket over the tube, adjust and tighten securely.



Fitting UNO nut with UNO card



Fitting UNO nut with spring



User Guide for Bolts:
Recommended Torque