

INTENDED USE

UNO bracket for connecting UNO sections together.

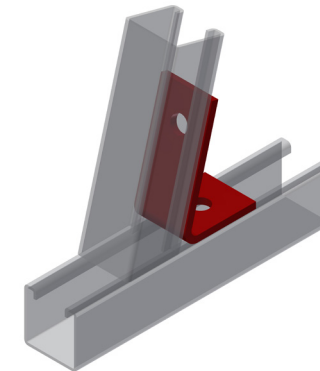
INSTRUCTION FOR USE

Fix UNO nuts or UNO card in the channel.
Attach the bracket connecting the sections.
Adjust and tighten securely.

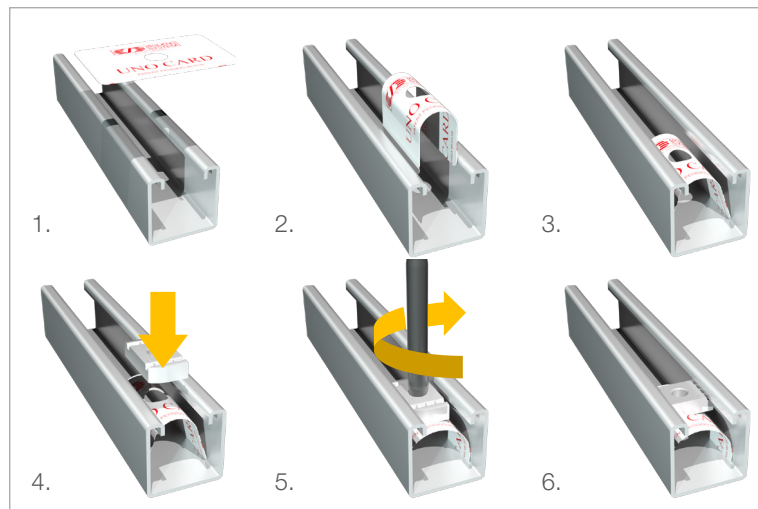
UNO Acute Angle Bracket 75°



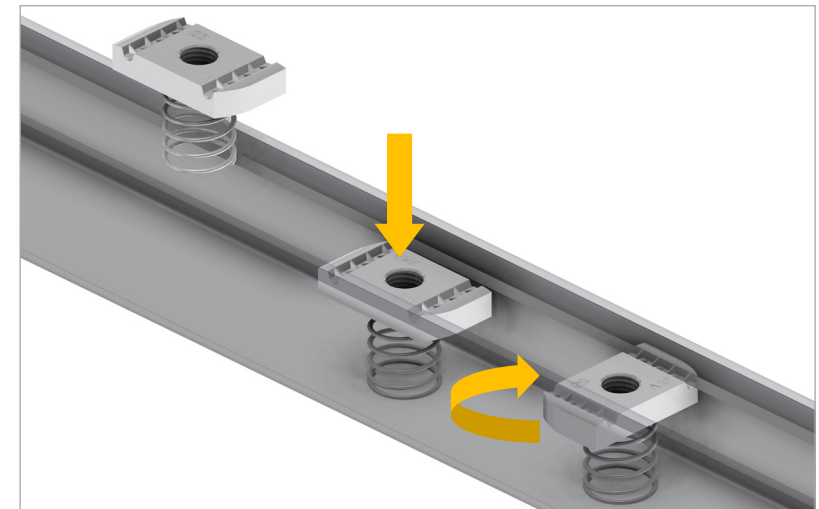
Typical installation



Fitting UNO nut with UNO card



Fitting UNO nut with spring



User Guide for Bolts:
Recommended Torque