

## INTENDED USE

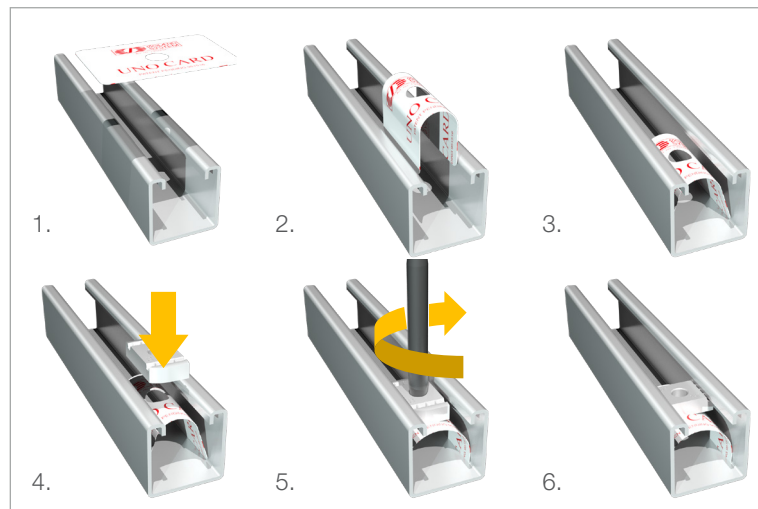
Universal UNO bolted starter bracket for connecting U-41 UNO sections with other components. Can also be used for strengthening connections.

## INSTRUCTION FOR USE

Fix UNO nuts or UNO card in the channel. Attach the bracket connecting the sections. Adjust and tighten securely.



Fitting UNO nut with UNO card



Fitting UNO nut with spring

