

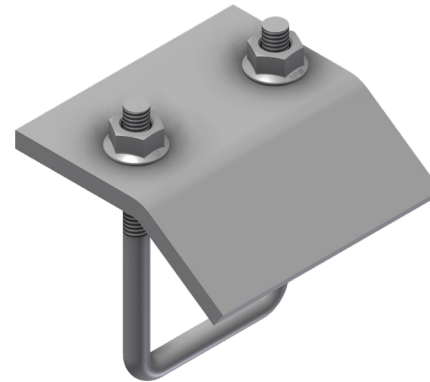
INTENDED USE

UNO bracket for connecting U-41 UNO sections to H-beams.

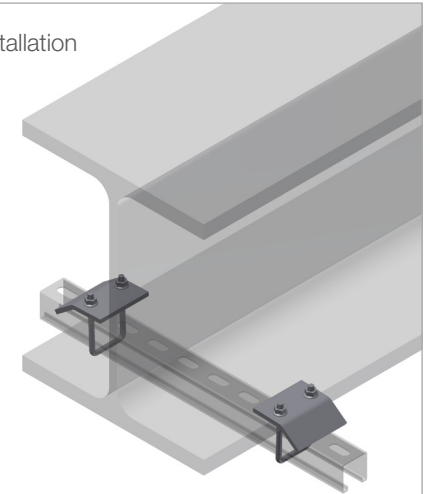
INSTRUCTION FOR USE

Fix the brackets in pairs loosely over the UNO profile as shown. Position the channel to the beam and slide the clamps in place to support the channel. Adjust the position and tighten securely.

UNO Beam Clamp D-87-A



Typical installation



User Guide for Bolts:
Recommended Torque