

INTENDED USE

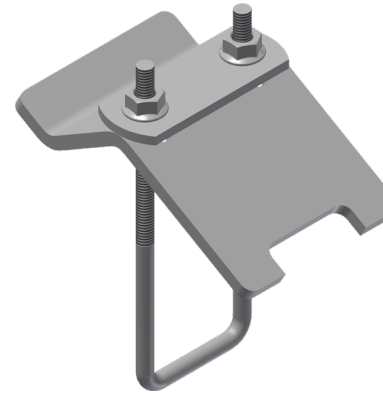
UNO bracket for connecting U-41-2 UNO sections to H-beams.

INSTRUCTION FOR USE

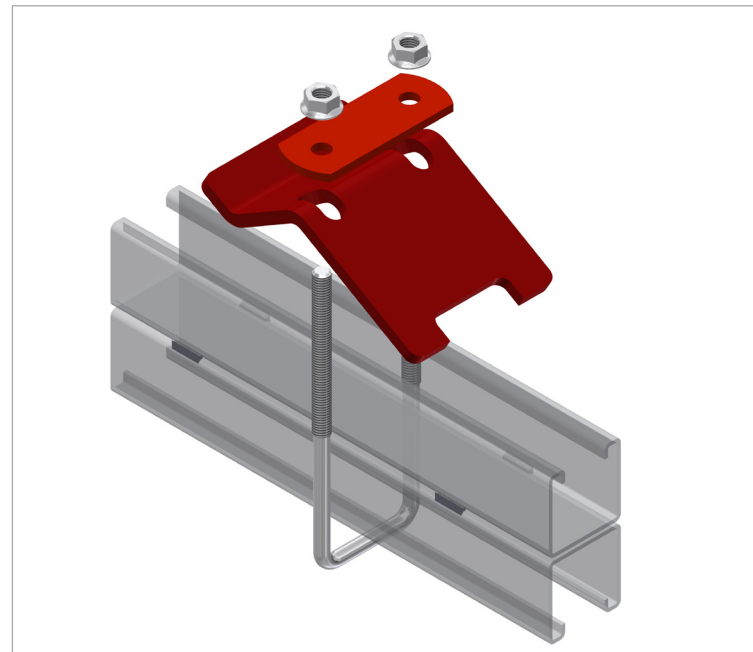
Use in pairs.

Fit the U-Bolt over the UNO section and attach as shown. Slide the clamps over the beam flange, adjust and tighten securely.

UNO Beam Clamp 30-1 for U-41-2



Typical installation



User Guide for Bolts:
Recommended Torque