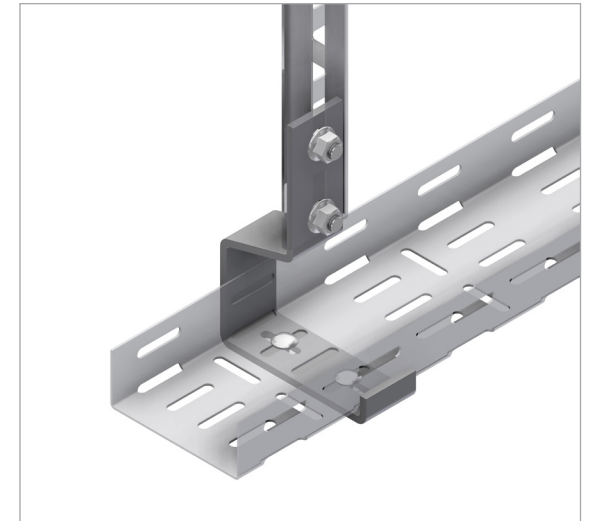


INTENDED USE

Central support bracket for up to 100 mm wide SPB-RF40 to SPB-RF60 cable trays.

INSTRUCTION FOR USE

Attach the bracket loosely using M10 self locking bolts. Adjust and tighten securely. Cable tray can then be fitted using M6 bolts. Bolts should be fitted from the inside of the tray to prevent damage to cables.



User Guide for Bolts:
Recommended Torque