

INTENDED USE

Clamp Covers for Horizontal OE ladder straight lengths and fittings which provide ventilation.
Not suitable for high wind loading.

INSTRUCTION FOR USE

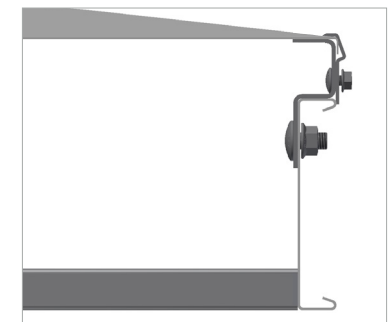
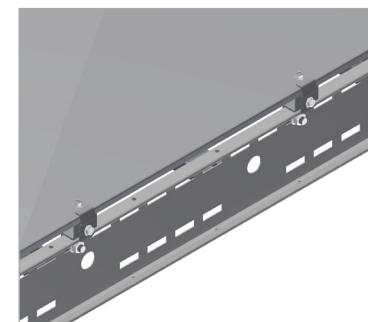
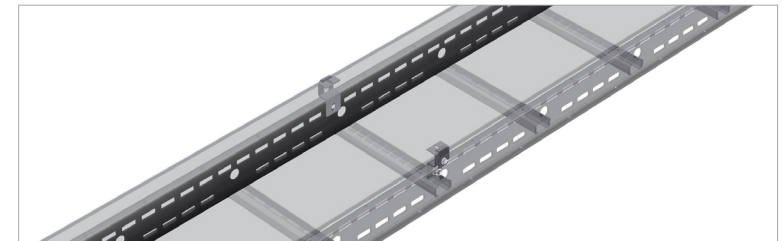
Allow 8 clamps for each 3 m section for widths up to 450 mm. From 600 mm width, allow 6 per 1,5 m section.

Attach the clamps loosely to the inside of the ladder rails. Remove the top part of the clamp. Fit the covers and re-fit the top part. Adjust and tighten securely.

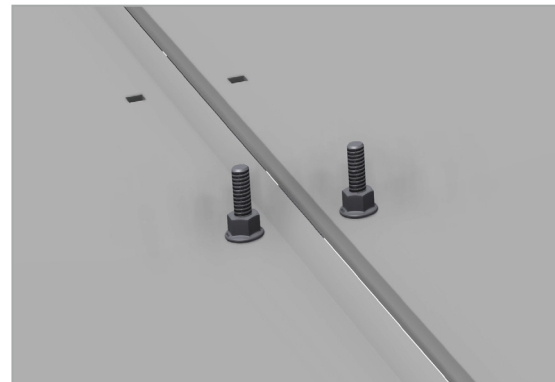
For widths over 600 mm, use connector brackets.

When using connector brackets, screw the bolts in the cover tops first and attach with a nut before laying the covers on the ladder.

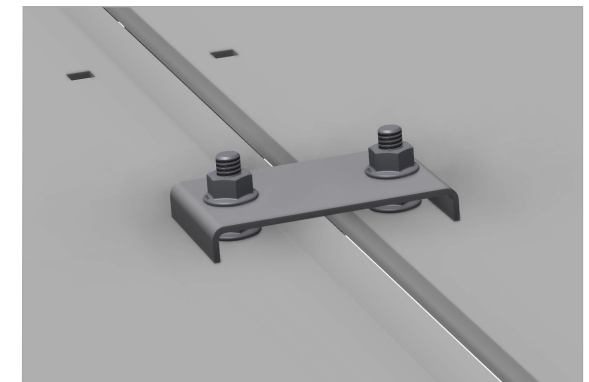
Attach the cover, and fix the connector bracket with another nut. Adjust and secure tightly.



Connector bracket for width > 600 mm.



1. Fix bolts onto the covers with a nut.
2. Fit the covers.



3. Attaching covers using connector bracket.
4. Fix connector bracket with nut.



User Guide for Bolts:
Recommended Torque