

## INTENDED USE

Clamp Covers for OE ladder straight lengths and fittings which provide ventilation to be fitted in vertical position, or when exposed to severe wind loadings.

## INSTRUCTION FOR USE

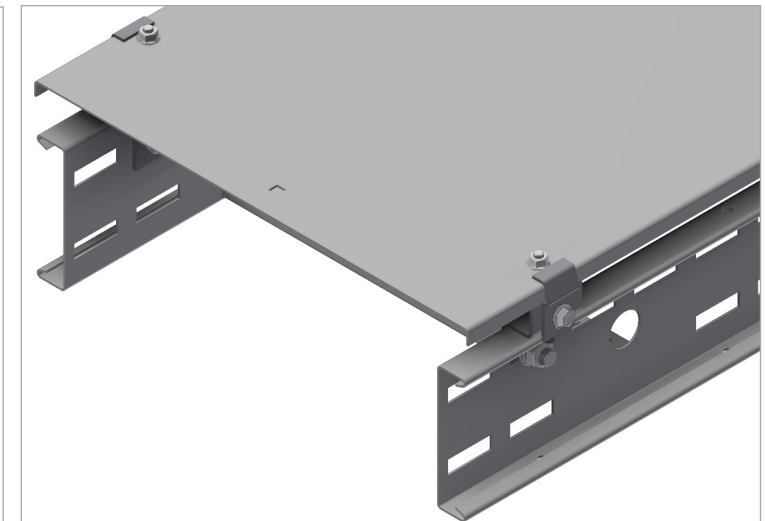
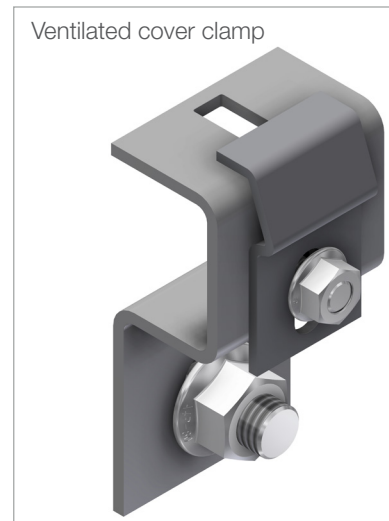
Allow 8 clamps for each 3 m section for widths up to 450 mm. From 600 mm width, allow 6 per 1,5 m section.

Attach the clamps loosely to the inside of the ladder rails. Remove the top part of the clamp. Mark the cover with the position of the hole on the top of the clamp. Drill the covers with  $\varnothing 7$  mm hole at these points. Fit the covers and use the bolt from the top part to fix the cover to the bracket. The other part of the top clamp can be discarded.

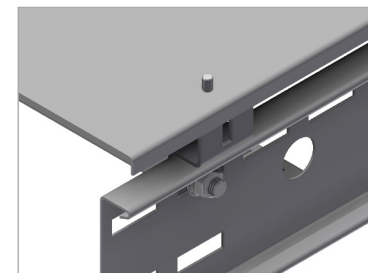
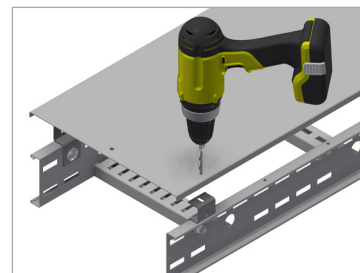
For vertical fitting, use connector brackets.

Screw the bolts in the cover tops first and attach with a nut before laying the covers on the ladder.

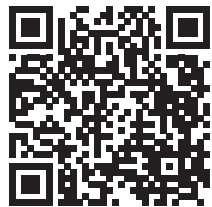
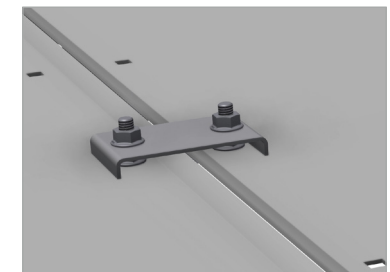
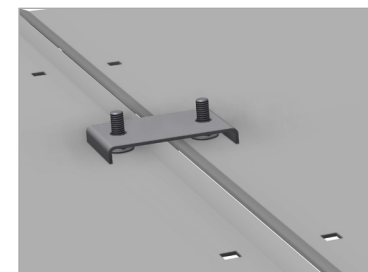
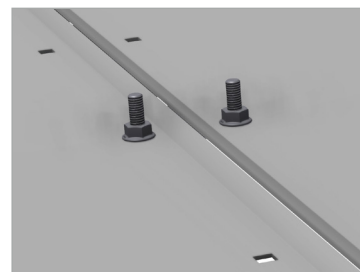
Attach the cover, and fix the connector bracket with another nut. Adjust and secure tightly.



Drill and fix covers to brackets for vertical installation.



Connector bracket for width > 600 mm.



User Guide for Bolts:  
Recommended Torque