

INTENDED USE

Covers for OE Flexi Riser offer protection from falling objects, UV radiation from sunlight and give the cables basic protection from weather and vandalism.

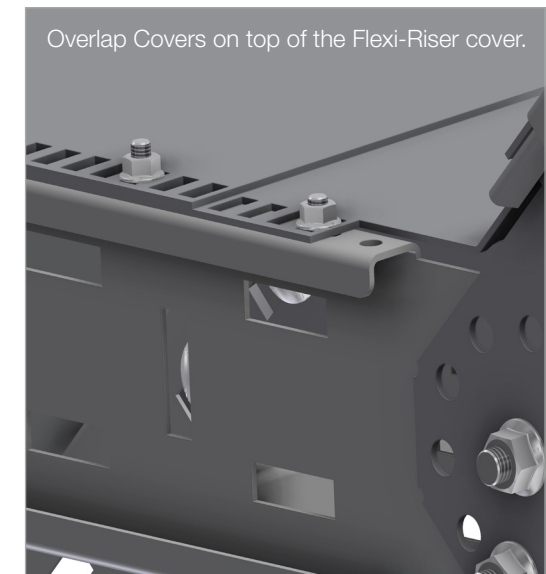
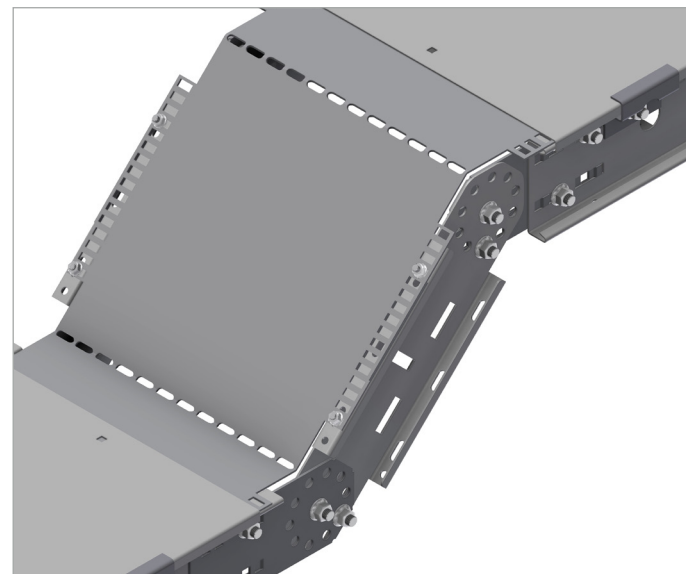
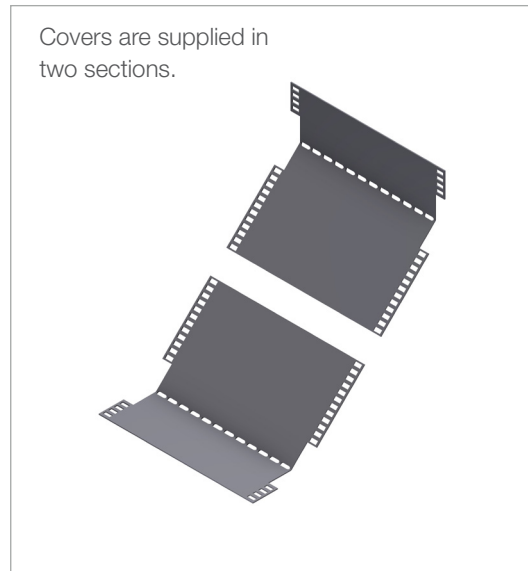
INSTRUCTION FOR USE

The cover is in two sections. Fit the covers to the riser(s) before fitting the adjacent covers and start from the lowest point.

Bend the lower section first to the required angle and attach to the Flexi Riser side rails in two available bolt holes with M6 bolts supplied.

Bend the top cover to the required angle to match the Flexi-Riser and bolt in place, overlapping the lower cover.

Overlap the covers on adjacent sections over the Flexi Riser cover.



User Guide for Bolts:
Recommended Torque