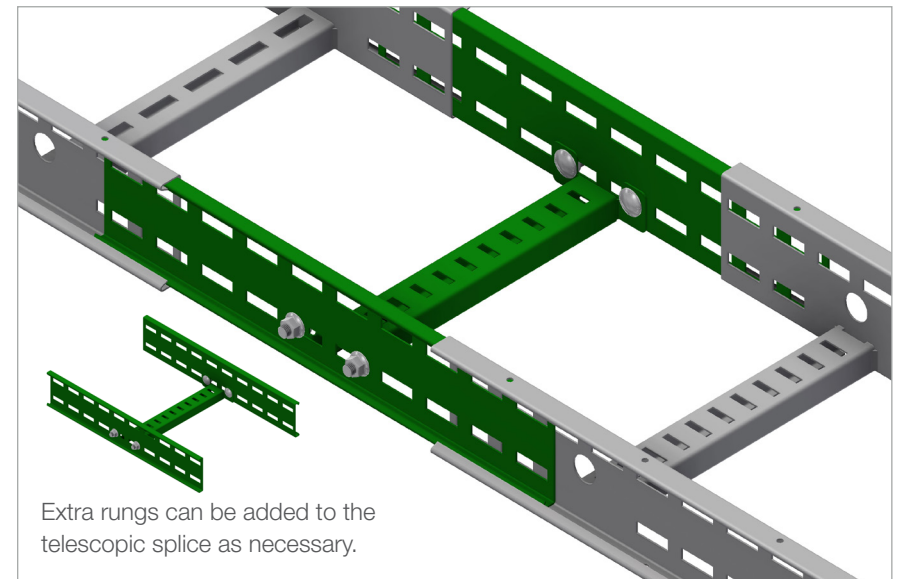
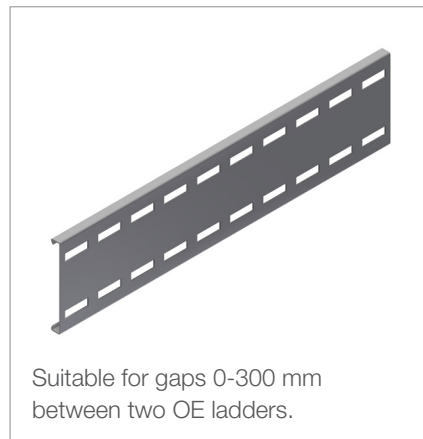
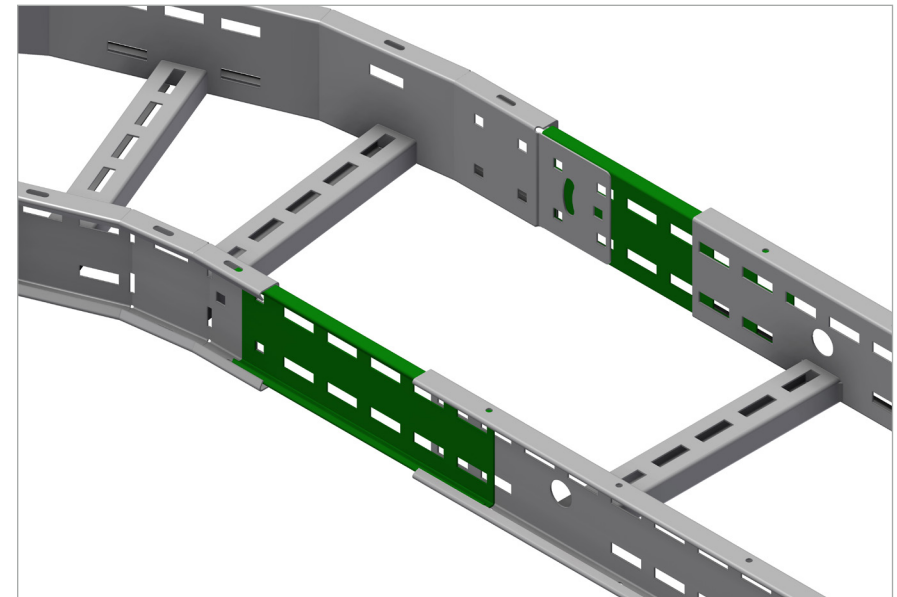
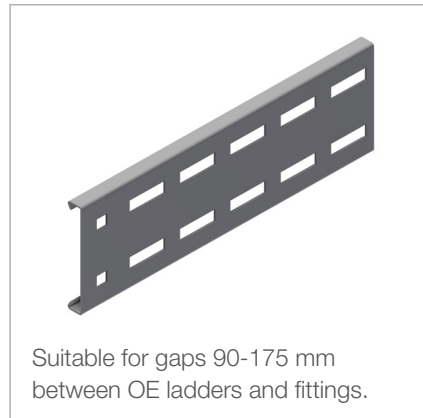


## INTENDED USE

Splice connectors which can be extended to fill installation gaps between OE sections, for example when marrying modules together.

## INSTRUCTION FOR USE

Attach the parts together loosely using self locking bolts. Adjust and tighten securely.



User Guide for Bolts:  
Recommended Torque