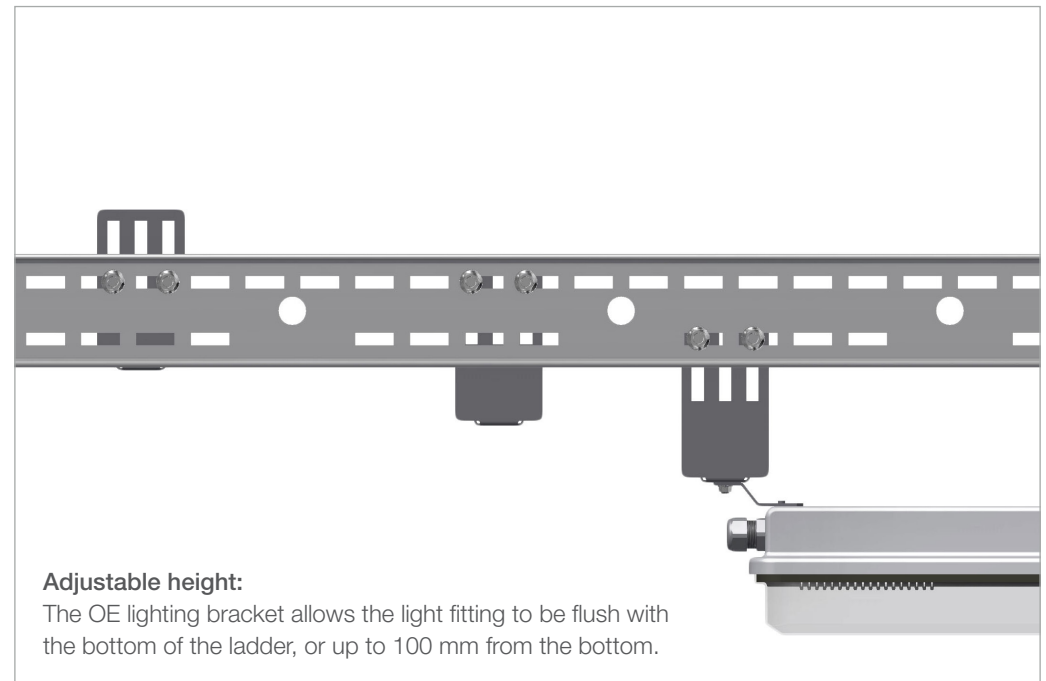
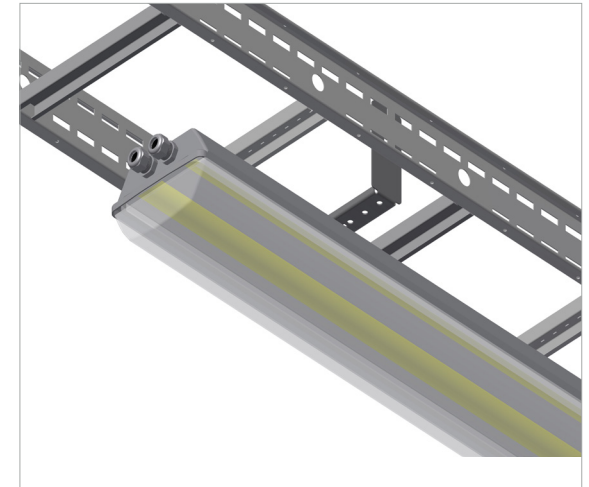
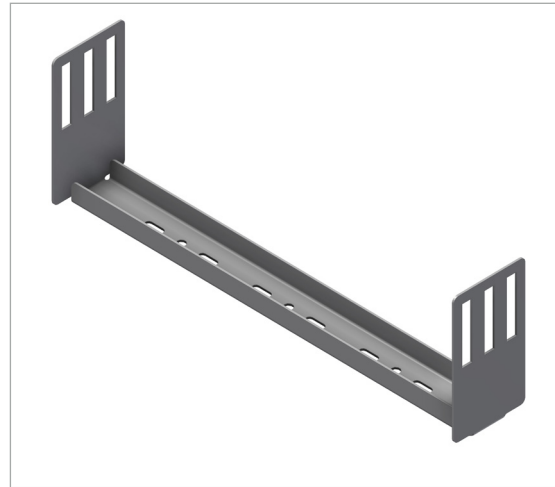


## INTENDED USE

Flexible light Fitting Bracket suitable for OE ladders. The Light Fitting can be installed at the same level as the base of the ladder or up to a maximum of 100 mm below.

## INSTRUCTION FOR USE

Attach the brackets to the Light Fitting loosely with self locking bolts. Lift the fitting in place and attach with self locking bolts. Adjust and tighten all the bolts securely.



User Guide for Bolts:  
Recommended Torque