

INTENDED USE

Exit Plates used to safely support cables over the side rail or ends of cable trays and OE cable ladders. Can also be used on Mekano® CH100-2T. Design of holes is optimised for cable ties in multiple directions.

Allows for cables routed +/-45° to be fixed with metal strips without damage to the cable.

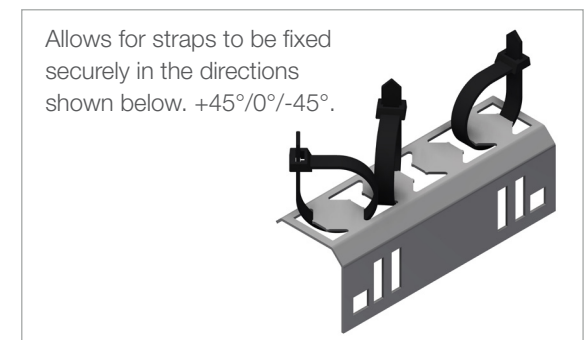
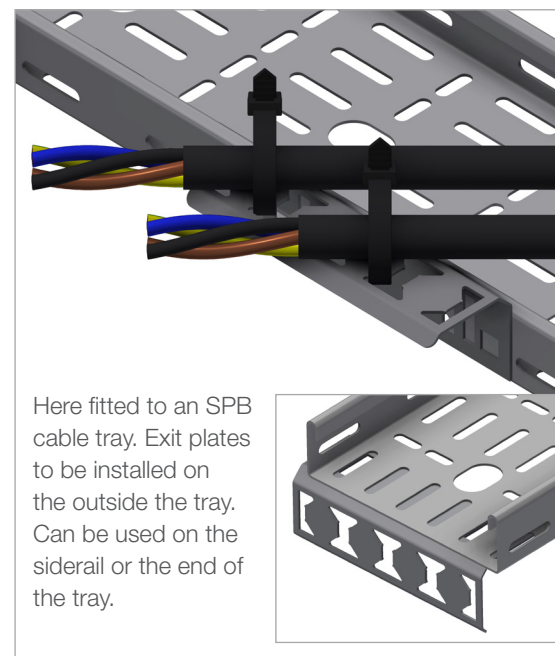
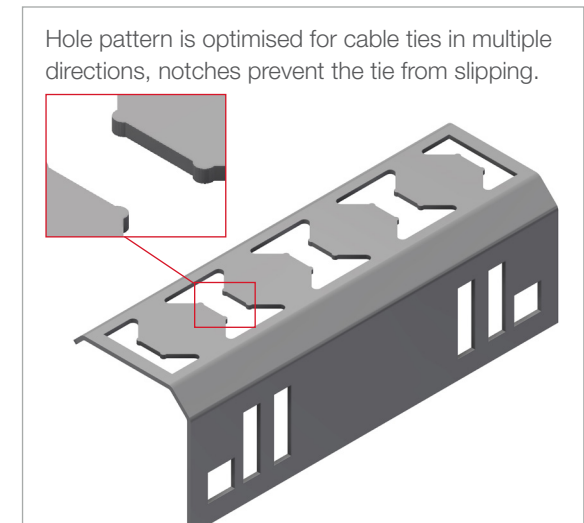
INSTRUCTION FOR USE

Fit exit plate on the inside of cable ladders or outside of cable trays.

Attach the Exit Plate(s) loosely in the desired location.

For cable trays use: M6 self locking bolts.
For cable ladders use: M10 self locking bolts.

Adjust and tighten securely.



User Guide for Bolts:
Recommended Torque