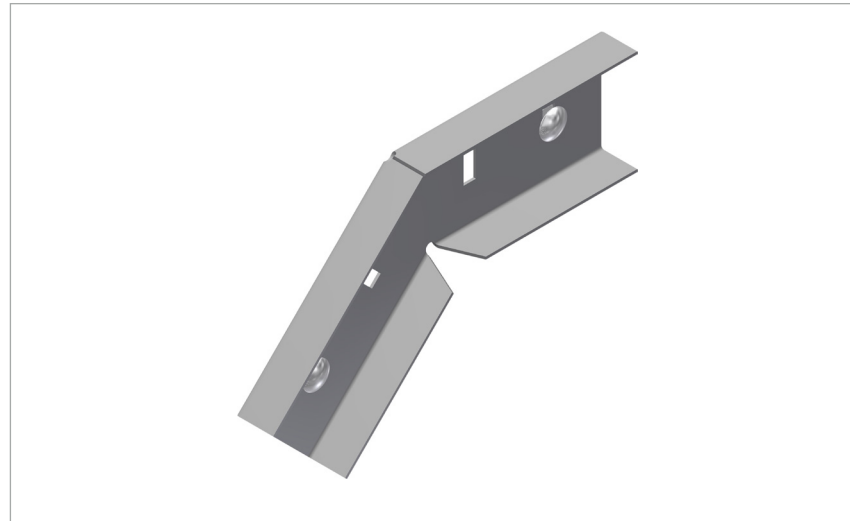


## INTENDED USE

Risers brackets are used to route ladders at 45° through irregular spaces and are designed to be used as both inside and outside risers.

## INSTRUCTION FOR USE

The Risers are positioned over the side rails of the ladder sections and attached using M6 bolts supplied. Assemble loosely. Adjust to fit and tighten securely.



User Guide for Bolts:  
Recommended Torque