

INTENDED USE

Clamps for SPB or LOE55 covers offering ventilation to prevent excessive heat build up whilst still protecting from falling objects. Suitable for horizontal, indoor applications without wind loading.

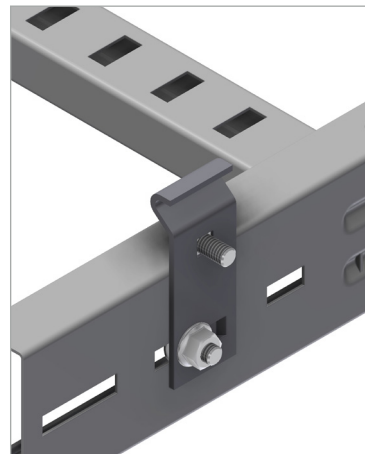
INSTRUCTION FOR USE

Allow for 8 clamps for each 3 m cable tray.

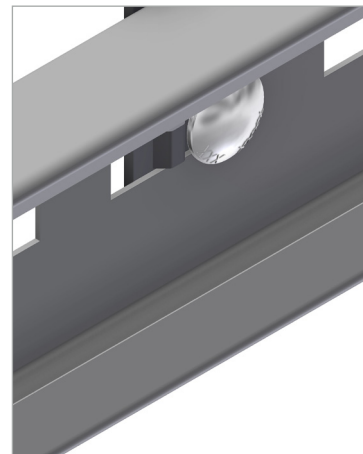
1. Fit the lower brackets to the cable tray side rail loosely.
2. Ensure the notch* (where applicable) on the bracket is in the slot on the side rail and tighten securely.
3. Fit the covers and attach the top part of the bracket.
4. Adjust and tighten the bolts securely.



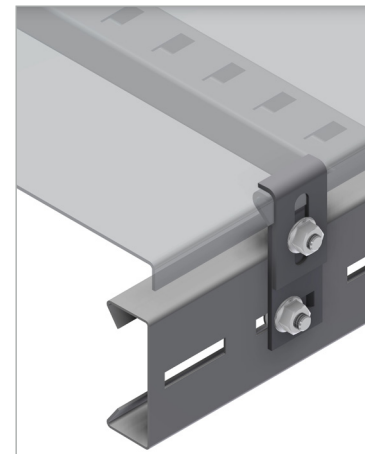
1. Fit the lower part to the side.



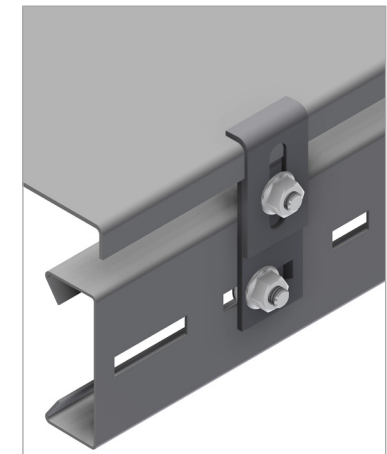
2. Notch must be in the slot.



3. Fit the cover.



4. Fit the top clamp and tighten.



User Guide for Bolts:
Recommended Torque