

INTENDED USE

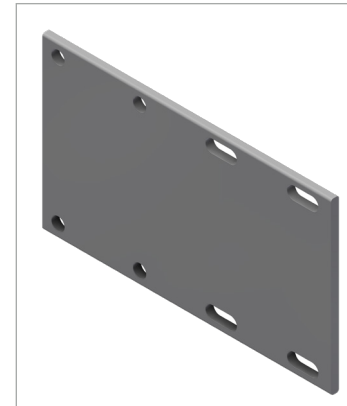
FOE splice connectors are used to connect sections of cable ladder together. Splice connectors and fasteners are available in both FRP and SS materials.

INSTRUCTION FOR USE

Attach the splice loosely with self locking bolts in the recommended pattern as shown. Adjust, then tighten securely.

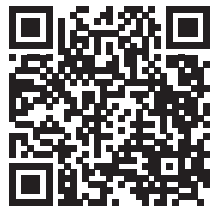
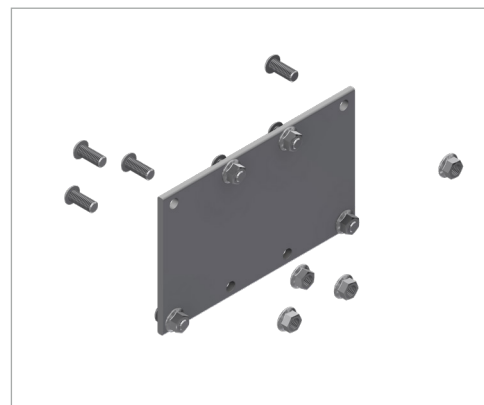
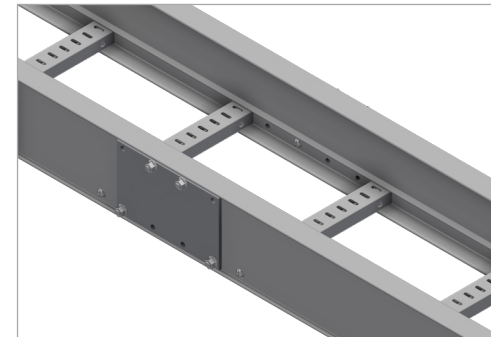
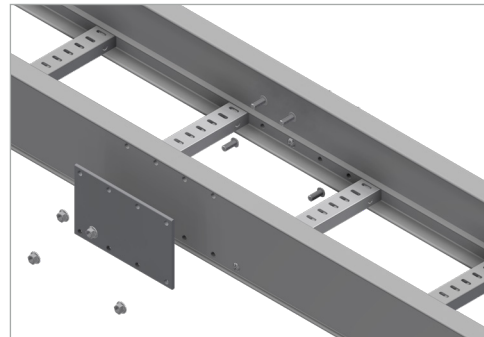
Splice plates are supplied with 4 bolts sets as standard. Additional fasteners may be ordered seperately.

For higher loads and greater spans (>4 metre) the use of 8 bolts per splice plate is recommended.



For expansion couplers, place one coupler at approx 25 m intervals to mediate thermal expansion for temperature variations of ± 20 °C.

Thermal Expansion Coefficient:
 25×10^{-6} mm/mm °C



User Guide for Bolts:
Recommended Torque