

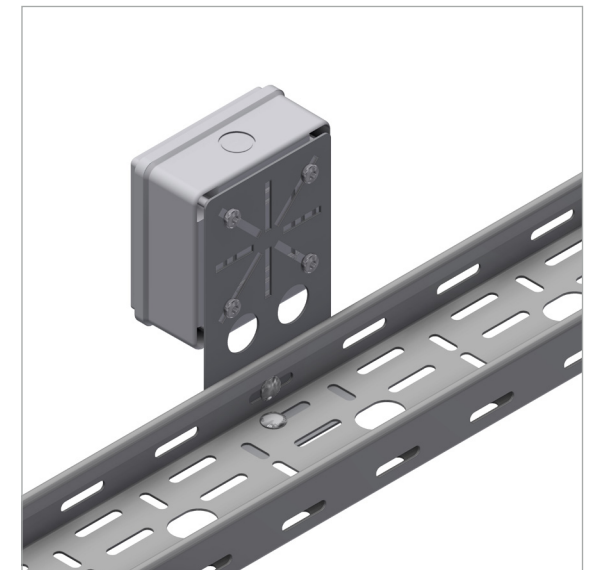
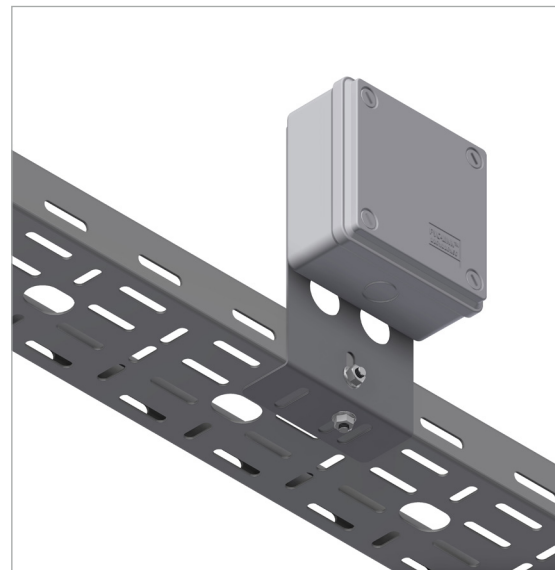
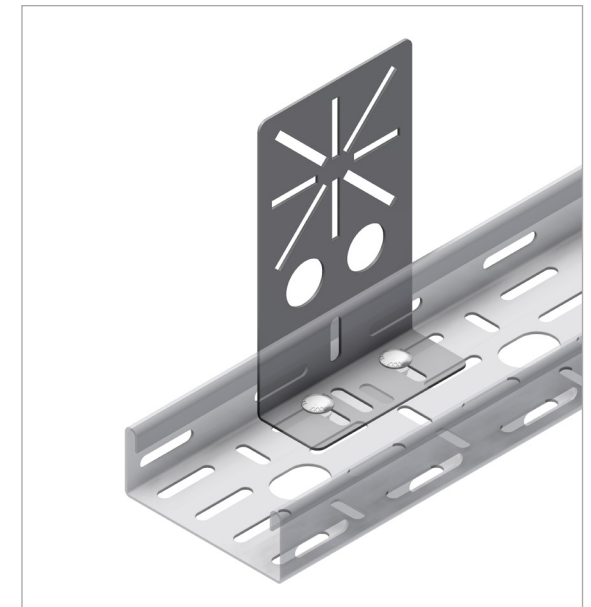
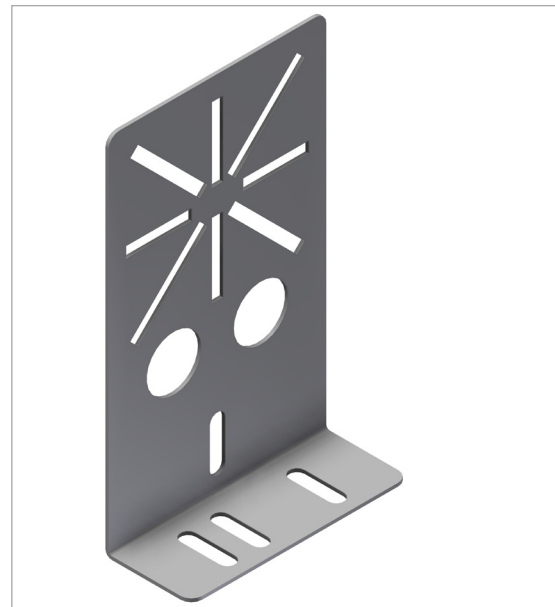
INTENDED USE

Socket bracket for fixing junction box to SPB cable tray.

INSTRUCTION FOR USE

Attach the bracket loosely to cable tray using M6 self locking bolts. Adjust and tighten securely. Junction box then be installed.

Bolts should be fitted from the inside of the tray to prevent damage to cables.



User Guide for Bolts:
Recommended Torque