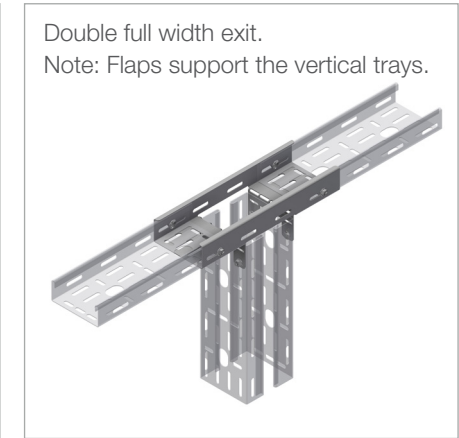


INTENDED USE

Versatile Cable Exit Section for SPB-RF 40 in 100 mm width. The section has four plates on the base which can be bent to support cable trays joining in many angles and orientations. See examples shown for typical application.

INSTRUCTION FOR USE

Bend the plates to the desired angle to suit the incoming cable tray(s). Attach together using M6 self locking bolt sets supplied. Adjust and tighten securely.



User Guide for Bolts:
Recommended Torque