

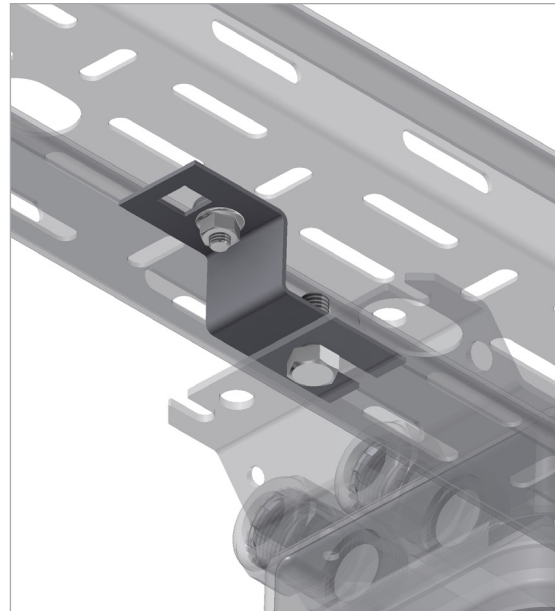
INTENDED USE

Universal light fitting bracket, suitable for fitting below cable tray or to Mekano® to support lighting installations.

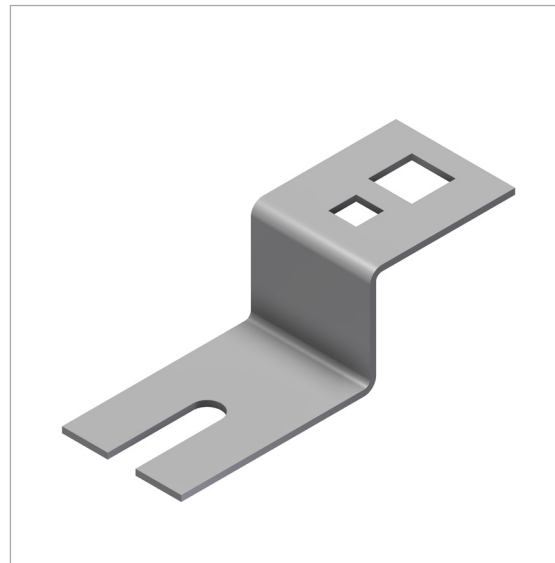
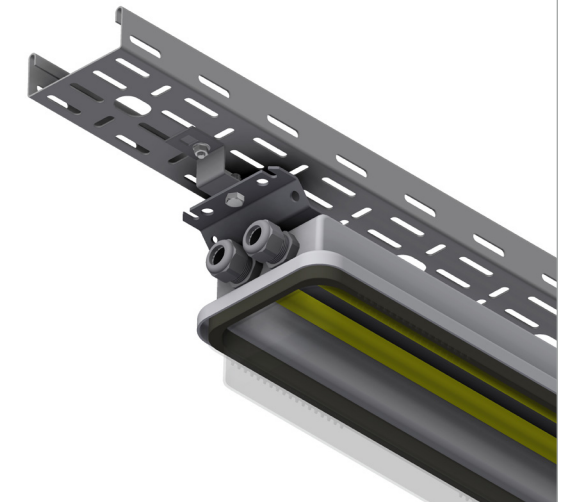
Equipped with holes for M6 and M10 bolts for fixing bracket. Opening for M6 bolts to fit lighting equipment.

INSTRUCTION FOR USE

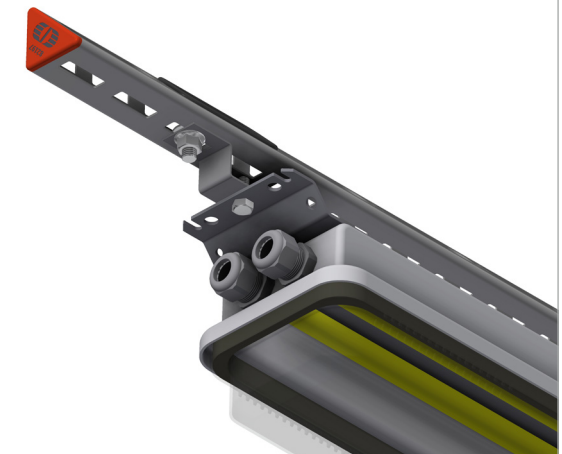
Attach bracket to lighting fitting using a M6 bolt. Then attach the bracket loosely using M6 or M10 self locking bolt to the tray or support, adjust and tighten securely. Bracket should always be used in pairs.



Fitted to cable tray using M6 self locking bolts



Fitted to Mekano® using M10 self locking bolts



User Guide for Bolts:
Recommended Torque