

## INTENDED USE

Splice Plate for attaching two cable trays together from the underside. Recommended as a reinforcement to standard side splices on trays from 400-600 mm width.

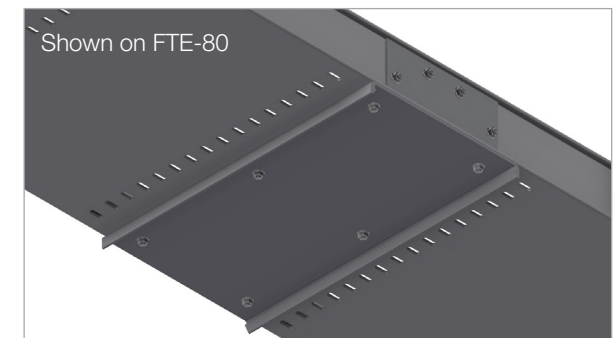
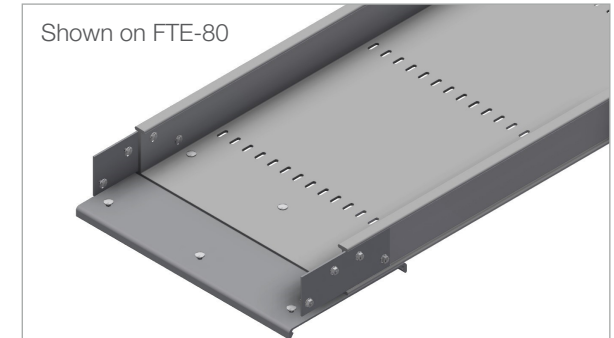
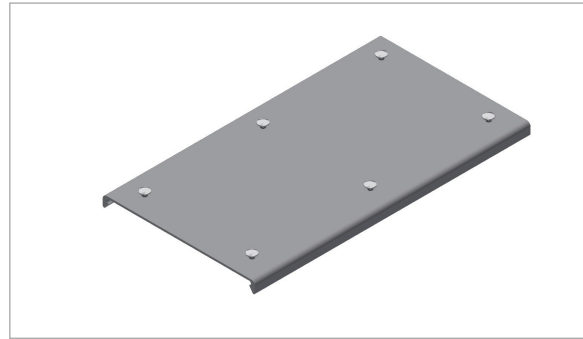
## INSTRUCTION FOR USE

Fit the splice equally under the parts being joined together.

Drill  $\varnothing$  7mm holes in the cable tray to allow fixing of the splice connector. (Splice connector can be used as drill jig)

Attach loosely with M6 bolts.

Adjust and tighten securely.



User Guide for Bolts:  
Recommended Torque