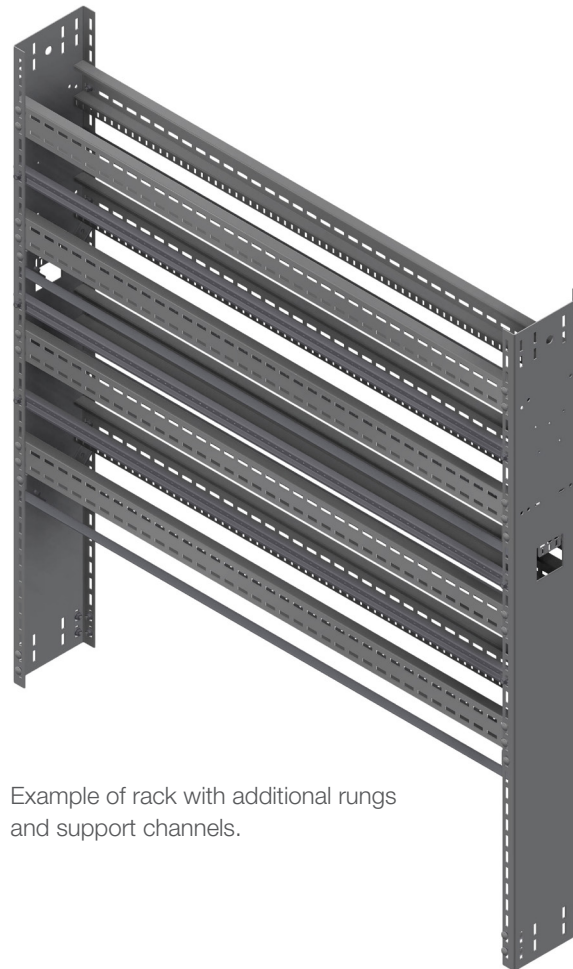


INTENDED USE

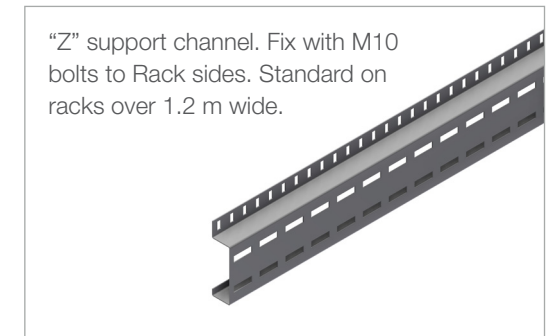
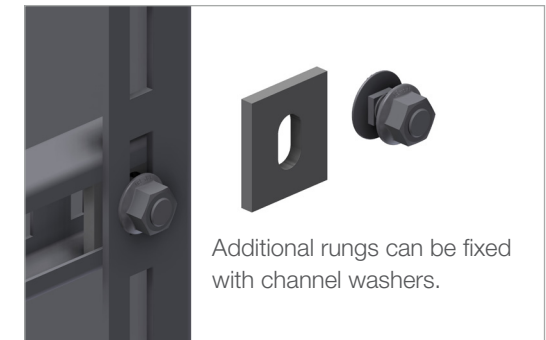
Equipment racks have a modular design, allowing for additional rungs or support channels to be added as required. Where heavy equipment is to be supported, large sizes are required and when environmental effects demand, additional support may be required to stabilize the standard construction.

INSTRUCTION FOR USE

Support can be added using a range of Mekano® channels, using standard anti-vibration self locking fasteners.



Example of rack with additional rungs and support channels.



User Guide for Bolts:
Recommended Torque