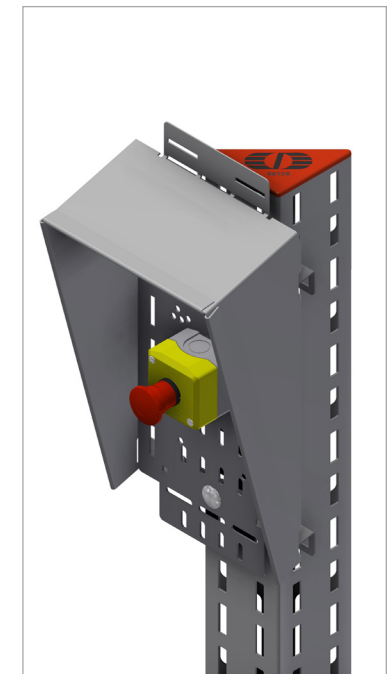
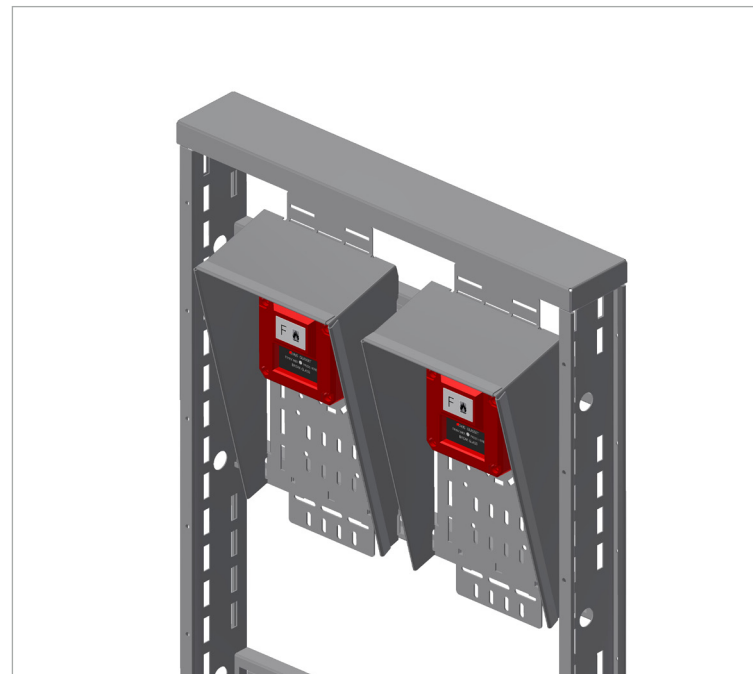


INTENDED USE

The equipment plate canopy offers protection from falling objects or accidental contact with equipment. It also gives basic environmental protection. The roof is equipped with a TAG plate holder.

INSTRUCTION FOR USE

Fit the canopy loosely over the equipment plate, ideally prior to installation of the equipment to check for conflicts. Attach with self locking bolts. Adjust and tighten securely.



User Guide for Bolts:
Recommended Torque