

## INTENDED USE

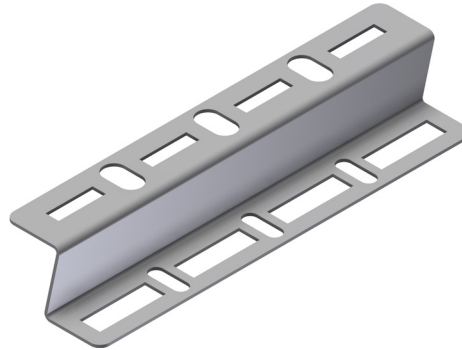
A universal Z shaped bracket suitable for installation of equipment plates for electrical and instrumentation equipment, such as speakers, sensors, switches, detectors etc.

The bracket can be fastened with either M6 or M10 bolts, not supplied. Combining brackets offers a wide range of fitting possibilities.

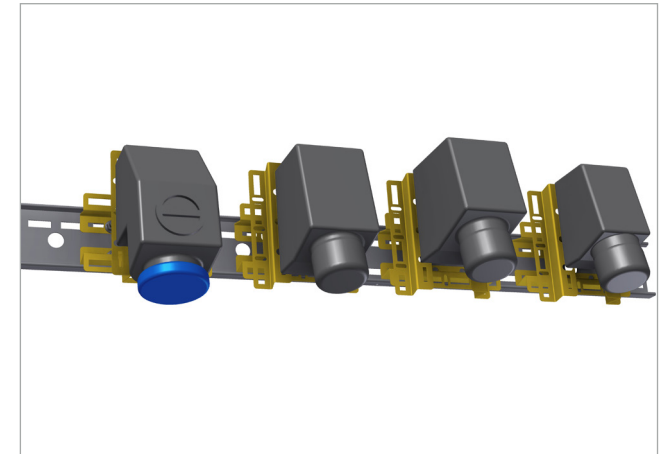
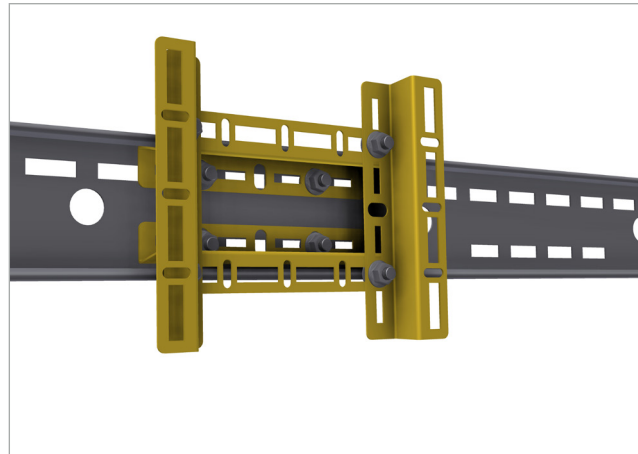
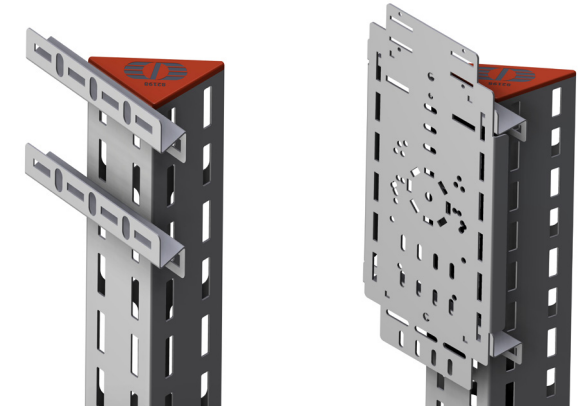
## INSTRUCTION FOR USE

Fit the brackets using M6 or M10 self locking bolts. Adjust and tighten securely.

Universal bracket. M6 and M10 bolt holes.



Universal angle brackets used to fit Equipment plate.



Two sets of brackets can be combined and adjusted to suit a wide range of fitting centres for various equipment.



User Guide for Bolts:  
Recommended Torque