

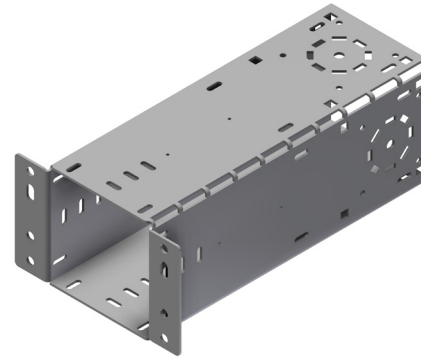
## INTENDED USE

The equipment Stub is a universal equipment support, suitable for attaching electrical equipment, such as speakers, lights, signals, detectors etc. It can be fitted both horizontally or vertically.

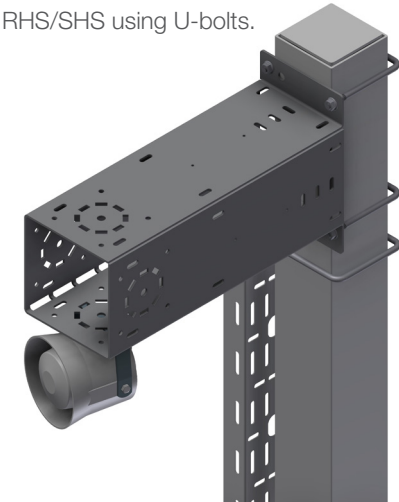
## INSTRUCTION FOR USE

The stub can be fitted to RHS/SHS using 80 or 100 mm M8 square U bolts. It can also be fitted to other structures using M8 self locking bolts. Attach the stub loosely, adjust and tighten securely.

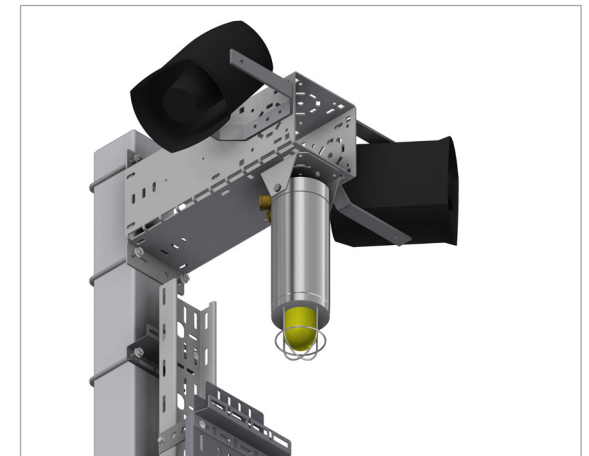
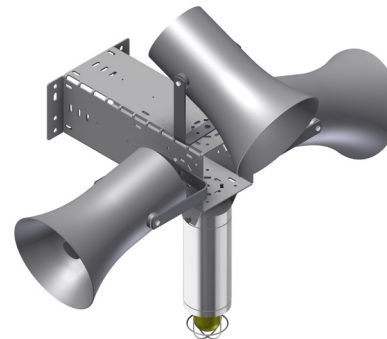
All sides are pre-slotted for equipment brackets.



Fit to RHS/SHS using U-bolts.



Suitable for speakers or warning lights.



User Guide for Bolts:  
Recommended Torque