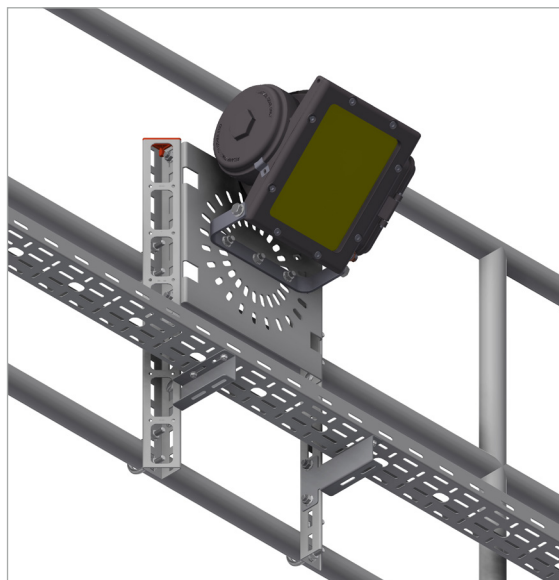
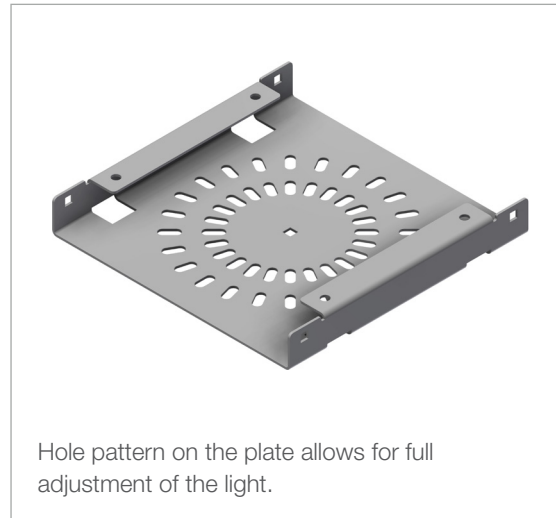


INTENDED USE

Universal bracket for securely attaching floodlights. Suitable for use with Mekano® and UNO channels for support vertically or horizontally. Hole pattern on the plate allows for full 360° adjustment of the light.

INSTRUCTION FOR USE

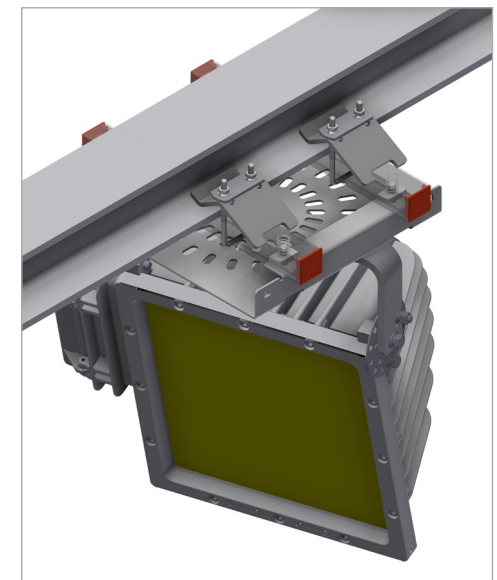
Fit the bracket to the support using M10 self locking bolts. In some cases, the floodlight may be fitted to the bracket first. Adjust the bracket and tighten securely.



Floodlight brackets can be bolted directly to Mekano® channels.



Floodlight pole solutions using standard Mekano® Channels.



Floodlight brackets can be bolted directly to UNO channels.



User Guide for Bolts:
Recommended Torque