

INTENDED USE

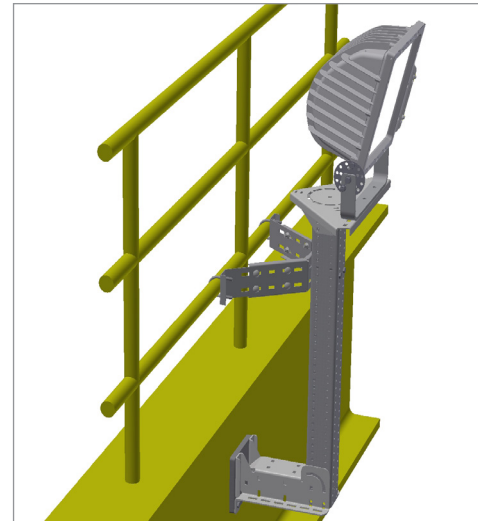
Bracket for providing additional support to handrails for floodlight support poles. Suitable for lighting poles constructed from Mekano® CH100-4 channel, SHS 80 or 100 mm.

INSTRUCTION FOR USE

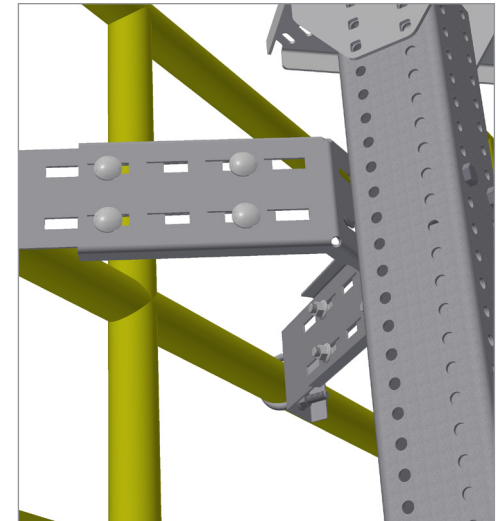
Assemble the parts loosely. Attach the bracket to the handrail using round or square U-bolts depending on the situation.

Fix the bracket to the light pole. Adjust the sides to suit the position of the pole from the handrail, then tighten the bolts securely.

To avoid galvanic corrosion where different metals are in contact, fit PTFE tape around the handrail where U-Bolts are to be fitted.



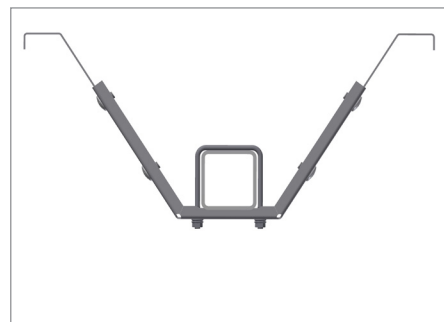
Bracket for additional floodlight support.



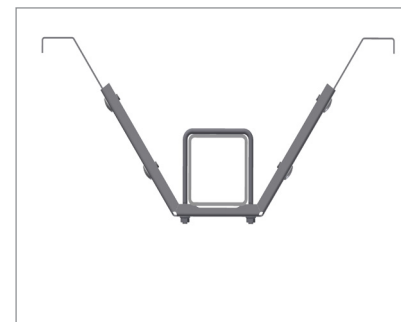
Slots on the bracket sides and U-Bolts allow for adjustment to suit the handrail position.



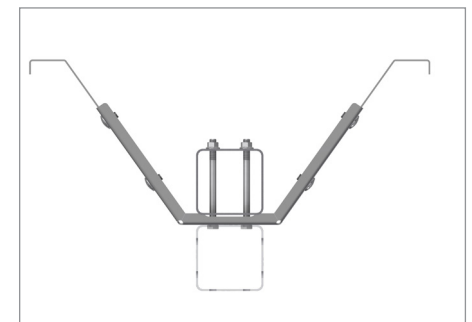
User Guide for Bolts:
Recommended Torque



Fix to SHS-80 pole with U-Bolts.
The bracing bracket can be connected on either side of the channel.



Fix to SHS-100 with U-Bolts.
The bracing bracket can be connected on either side of the channel.



Fix to Mekano® CH100-4.
The bracing bracket can be connected on either side of the channel.