

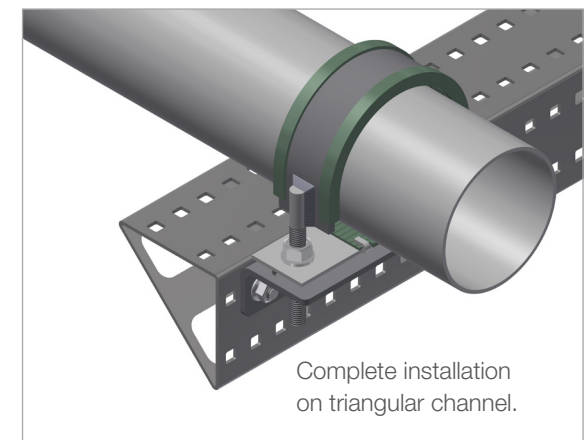
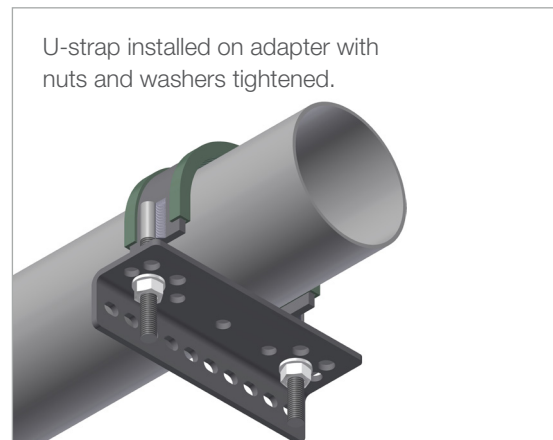
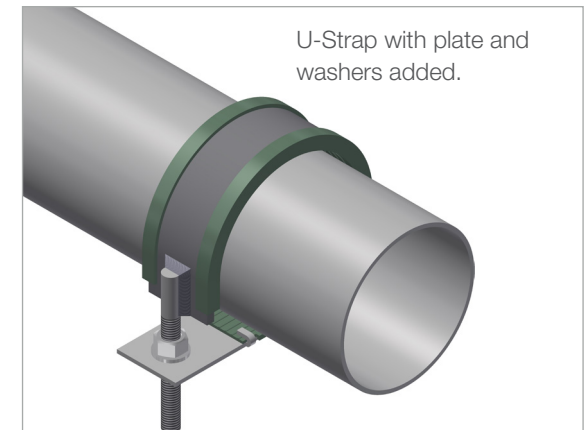
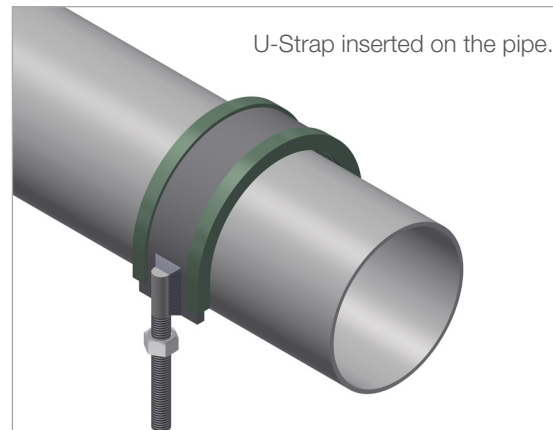
INTENDED USE

Provides support for a pipe and keeps it in place. Non Grip allows the pipe to slide in the pipe direction.

INSTRUCTION FOR USE

Insert the U-Strap over the pipe, then add the two upper nuts and screw them $\frac{3}{4}$ of the way up. Then add the washers and accompanying plate with the rubber facing the pipe. Bolt the U-Strap adapter to the support channel. Insert the bolts on the U-Strap into the U-Strap Adapter, and fasten it with the remaining washers and nuts.

Adjust the upper nuts so that the pipe can slide within the clamp, then tighten the lower bolts to fasten the strap to the adapter. Tighten the upper bolts again to ensure that the U-Strap is secured and allowing the pipe to slide.



User Guide for Bolts:
Recommended Torque