

INTENDED USE

To prevent galvanic corrosion from contact between two different metals type. The plates insulate the different materials from one another, and are used together with insulation sleeves for fasteners. (see ØI-RD-UG-EN-0001)

INSTRUCTION FOR USE

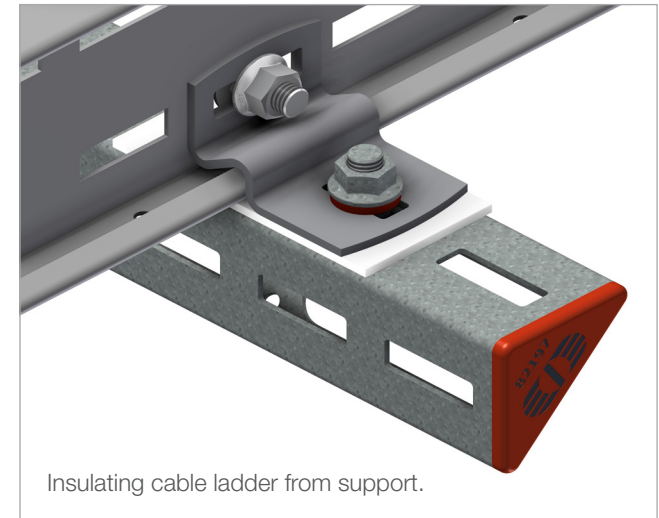
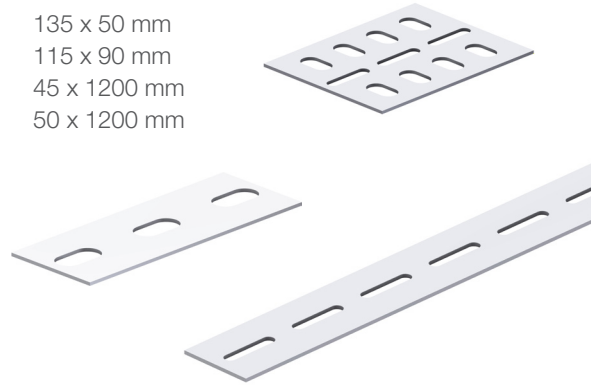
Ensure the surfaces to be connected are free from debris or sharp points which might penetrate the insulation. Fit the insulation pads between the sections being joined, and use insulation sleeves on all fasteners.

Check that there is no continuity between the parts being insulated using a multimeter/resistance gauge.

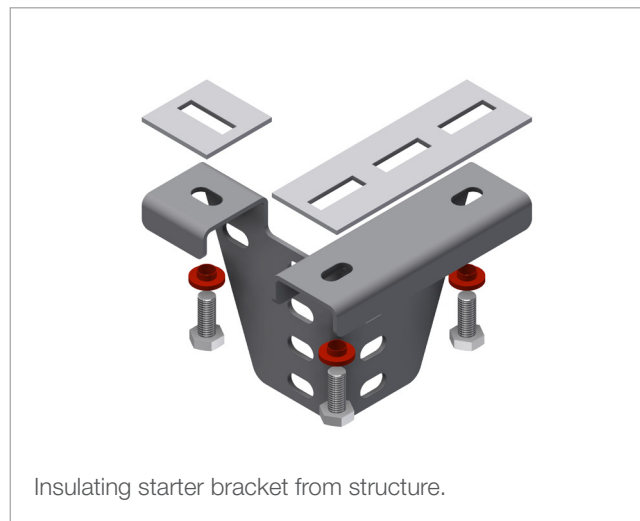
Note: PTFE material can creep under high compression loads, thereby reducing the tension on bolted connections over time. Consideration for this should be taken when using insulation plates for load bearing or structural connections.

PTFE plates are available in various dimensions:

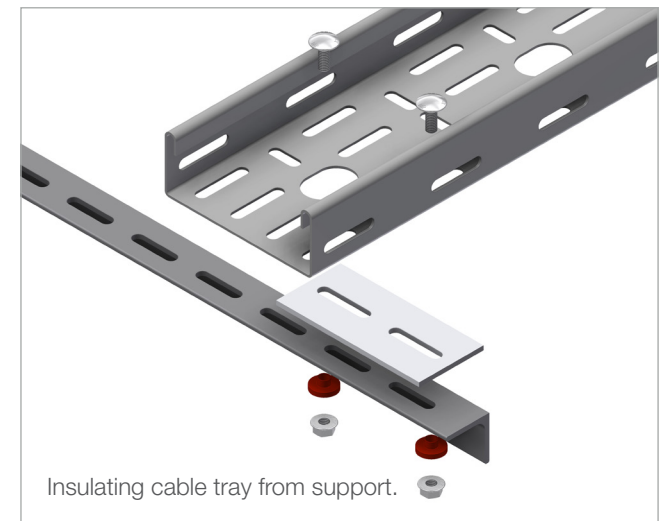
- 135 x 50 mm
- 115 x 90 mm
- 45 x 1200 mm
- 50 x 1200 mm



Insulating cable ladder from support.



Insulating starter bracket from structure.



Insulating cable tray from support.



User Guide for Bolts:
Recommended Torque