

## INTENDED USE

Stretch Preventers prevent cables from being stretched and damaged during installation and operation. It also acts as a drip point.

The stretch preventers are available in types which can be fitted on the light fitting brackets or on the light armature directly. The Stretch Preventer also provides the required slack in cable (max 10 x diameter, and bending radius 6 x diameter).

Where there is risk of vibration and where exposed to wind, we recommend fitting the stretch preventer to the armature.

## INSTRUCTION FOR USE

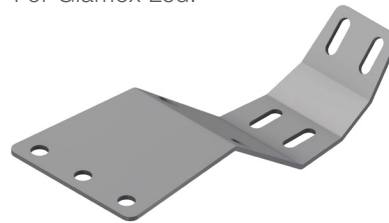
Use insulation gaskets or PTFE tape on both sides between the bracket and the light armature. Also check fitting instructions for the light fitting.

Attach the stretch preventer loosely with self locking bolts. Adjust and tighten securely. Both types also have holes for fixing safety wire and earth connections.

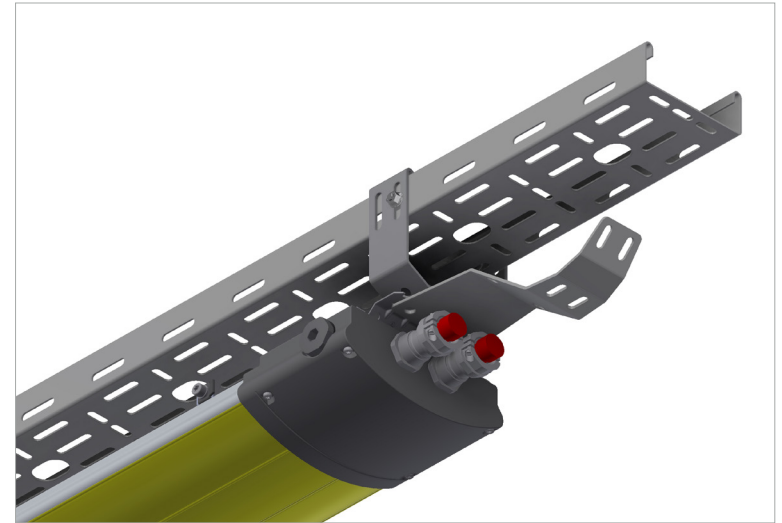
For Glamox.



For Glamox Led.



For CEAG/Stahl.



User Guide for Bolts:  
Recommended Torque