

## INTENDED USE

The CH100S support channel is a 'triangular' shaped FRP support channel with good torsional resistance.

## INSTRUCTION FOR USE

The channels should be fixed together using M10 hex bolts. Sleeve nut connections are also available, please see user guide 0376 for details. We recommend the use of SS bolts for all FRP supports, however FRP stud bolts can also be used if a full composite system is required.

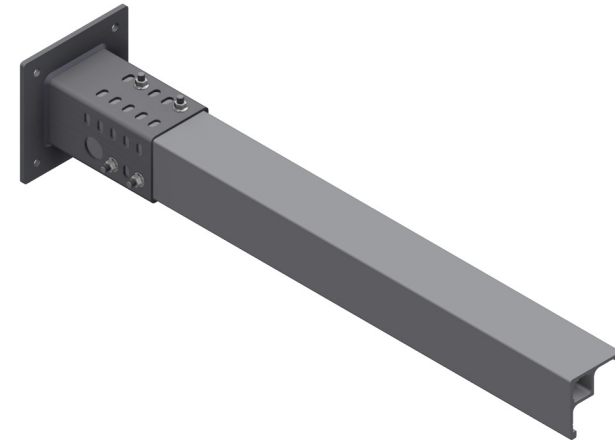
Drilling of channel is done at site using SmartJig 87050 and/or starter bracket as drill jig for CH100s channels. For more details see user guide 0376 and 0297.

Carbide tip drill bits are best suited for drilling FRP. We recommend sealing the holes with a clear acrylic lacquer suitable for outdoor use. 10 mm drill bit size should be used.



User Guide for Bolts:  
Recommended Torque

CH100S Typical Cantilever Support



Starter bracket connection detail . 4 bolt connection.  
Starter bracket can be used as drill jig.

