

INTENDED USE

The CH100S support channel is a 'triangular' shaped FRP support channel with good torsional resistance. T-support are suited for applications with equal load on each side.

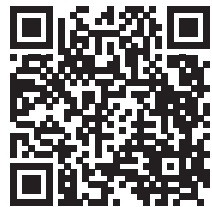
INSTRUCTION FOR USE

The channels should be fixed together using M10 hex bolts. Sleeve nut connections are also available, please see user guide 0376 for details. We recommend the use of SS bolts for all FRP supports, however FRP stud bolts can also be used if a full composite system is required.

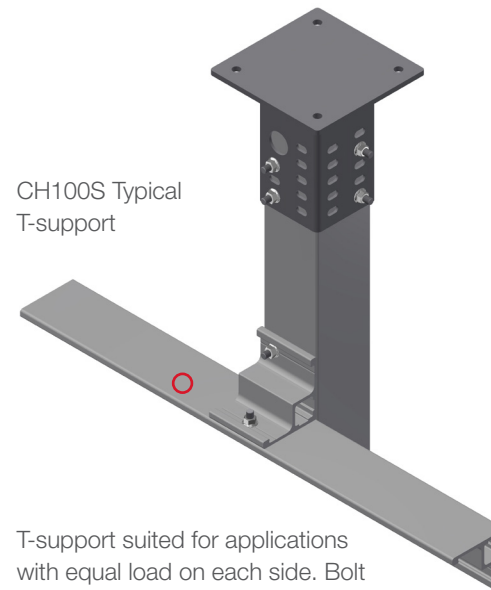
It is recommended to use an additional 100mm piece of the CH100S channel as a connection between the horizontal and vertical channels (see image).

Drilling of channel is done at site and using SmartJig 87050 for CH100s channels. For more details see user guide 0376 and 0297.

Carbide tip drill bits are best suited for drilling FRP. We recommend sealing the holes with a clear acrylic lacquer suitable for outdoor use. 10 mm drill bit size should be used.

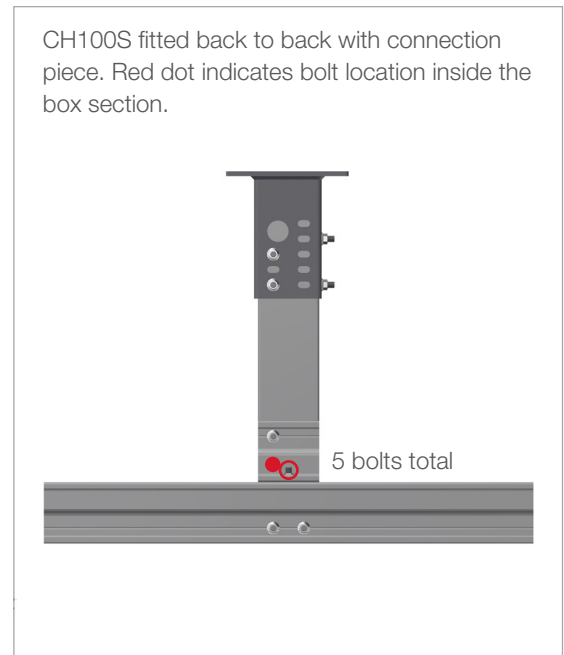


User Guide for Bolts:
Recommended Torque



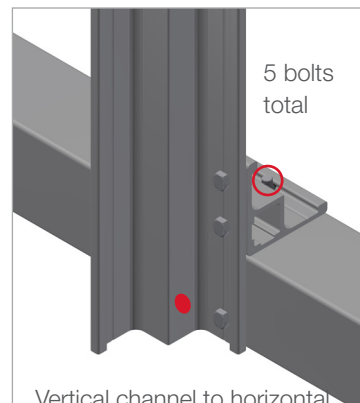
CH100S Typical T-support

T-support suited for applications with equal load on each side. Bolt location inside the box section highlighted in red.

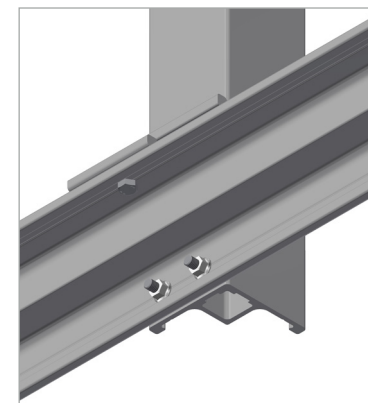


CH100S fitted back to back with connection piece. Red dot indicates bolt location inside the box section.

5 bolts total



Vertical channel to horizontal channel joint detail. Red dot indicates bolt location inside the box channel (top view back).



Vertical channel to horizontal channel joint detail (bottom view front).



Starter bracket connection detail.