

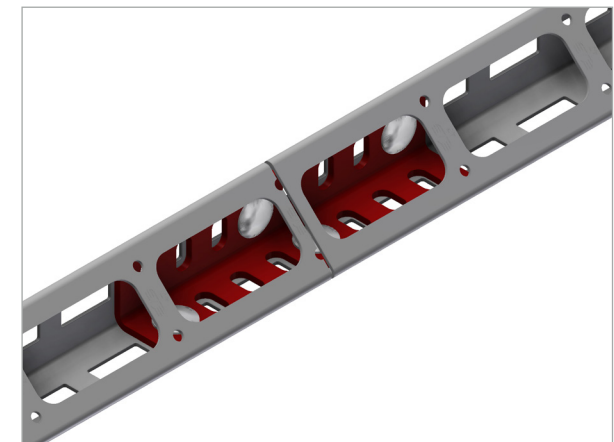
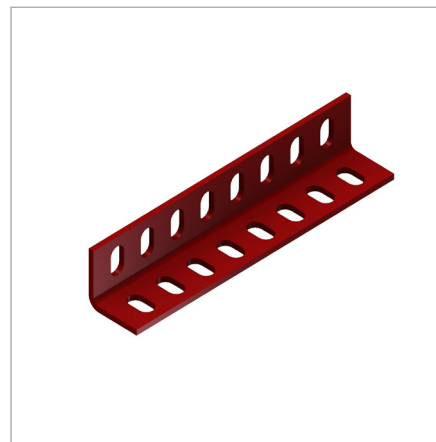
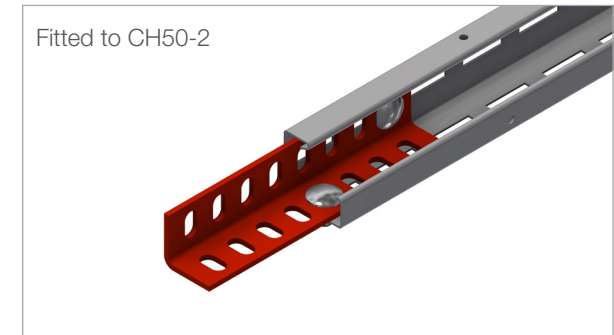
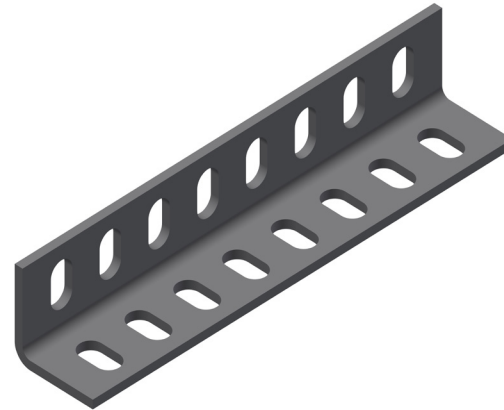
INTENDED USE

Splice plates for Mekano® CH50-2T in 4 mm material thickness. Suits Mekano® CH50-2 and CH50-2T in all thicknesses.

INSTRUCTION FOR USE

Fit the splice inside the channel between the sections.

Fix together using M10 self locking bolts. The large hole on the back of the channel allows the bolts to be easily fitted.



User Guide for Bolts:
Recommended Torque