



CFS-T Cable Modules and Filler Modules

EMC modules with contact tips and tapes (made from electrolytic copper) form a conductive connection between cable shield and frame



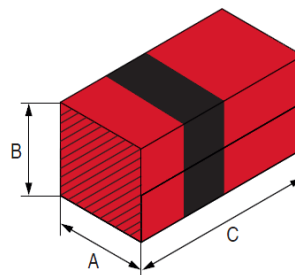
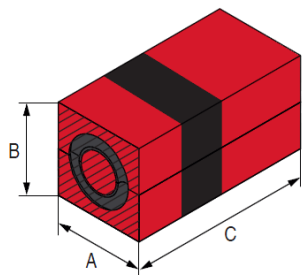
Application

EMC Sealing Solution (electromagnetic compatibility) for protection against electromagnetic influences.

- Highly sensitive electronic equipment, like signal and control systems, communication techniques and instruments
- instruments to be tightly shielded from electromagnetic fields by sudden electromagnetic pulses (EMP) caused by lightning (LEMP), nuclear explosions (NEMP), control operations in overhead lines and transformer stations or electromagnetic fields from electronic instruments or other equipment not sufficiently shielded
- special areas for navy ships, offshore platforms (upstream), offshore transformer stations (wind energy)

Benefits

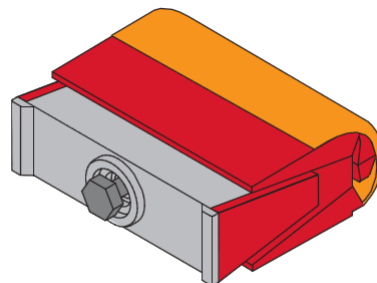
- EMC protection
- Fire resistance, dust protection and water and gas tightness
- Elastic, fire resistant and halogen free elastomeric material
- Versatile adapter modules for quick and easy accommodation of each cable diameter
- Complies with the requirements for indoor use (requirements of DIBt in combination with the NIK values from AgBB environment)
- Age tested
- EMC Wedge kits available made from galvanized steel or stainless steel



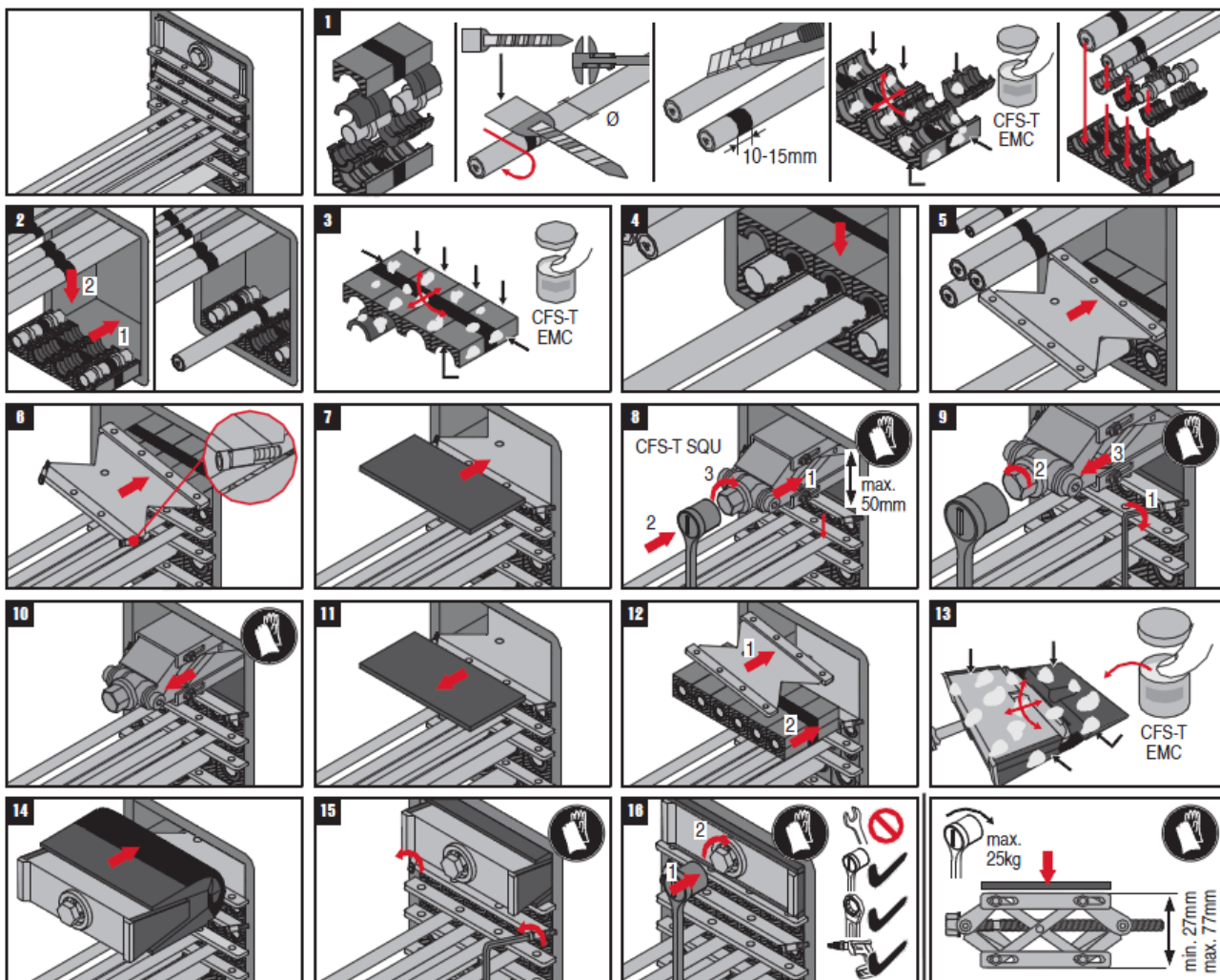
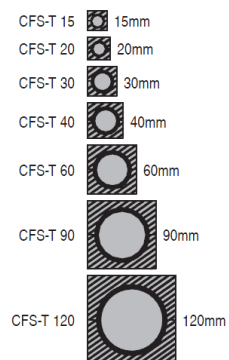
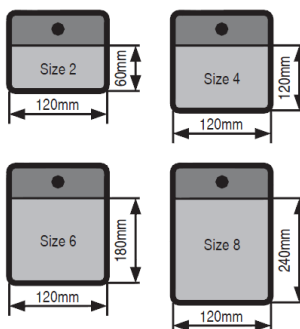
Module	Dimension A in mm	Dimension B in mm	Dimension C in mm	Diameter range	Diameter range per module / adapter
Cable Modules					
CFS-T EMC 20/0+5-12	20	20	60	5 – 12 mm	Black Adapter = 5 – 7 mm Grey Adapter = 8 – 10 mm Basic Module = 11 – 12mm
CFS-T EMC 30/0+13-23	30	30	60	13 – 23 mm	Black Adapter = 13 – 16 mm Grey Adapter = 17 – 21 mm Basic Module = 22 – 23 mm
CFS-T EMC 40/0+23-33	40	40	60	23 – 33 mm	Black Adapter = 23 – 26 mm Grey Adapter = 27 – 31 mm Basic Module = 32 – 33 mm
CFS-T EMC 60/0+34-51	60	60	60	34 – 51 mm	Black Adapter = 34 – 38 mm Grey Adapter = 39 – 43 mm Red insert = 44 – 48 mm Basic Module = 49 – 51 mm
CFS-T EMC 90/0+52-78	90	90	60	52 – 78 mm	Black Adapter (thick) = 52 – 57 mm Grey Adapter = 58 – 63 mm Red Adapter = 64 – 69 mm Black Adapter (thin) = 70 – 75 mm Basic Module = 76 – 78 mm
CFS-T EMC 120/0+79-99	120	120	60	79 – 99 mm	Black Adapter = 79 – 84 mm Grey Adapter = 85 – 90 mm Red Adapter = 91 – 96 mm Basic Module = 97 – 99 mm
Filler modules					
CFS-T FB EMC 120x5/0	120	5	60	0	-
CFS-T FB EMC 120x10/0	120	10	60	0	-
CFS-T FB EMC 15/0	15	15	60	0	-
CFS-T FB EMC 20/0	20	20	60	0	-
CFS-T FB EMC 30/0	30	30	60	0	-
CFS-T FB EMC 30/0R30	r = 30		60	0	-

CFS-T EMC Wedge Kits

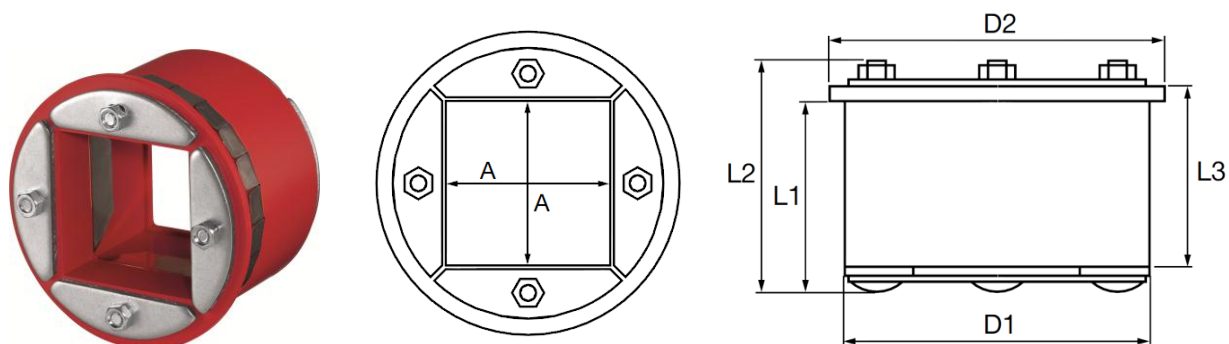
CFS-T EMC wedge seals are available made from galvanized steel or stainless steel. Each wedge kit contains one CFS-T EMC wedge seal, 5 anchor plates and one CFS-T EMC contact paste (to protect copper contact strips on modules and compression wedge from corrosion). Anchor plates available made from galvanized steel, stainless steel or aluminium.



Instruction for use CFS-T EMC



CFS-T RR EMC plug seals



Dimensions of the CFS-T RR EMC plug seals

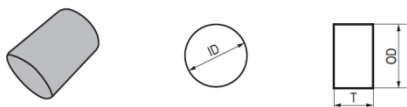
EMC Plug seals available with fittings and bolts made from galvanized steel or stainless steel

Type	Space available		Hole dia. ø mm	Dimension in mm				Module length L 3	Tensioning bolts DIN603(DIN84)
	A	cm ²		D 1	D 2	L 1	L 2		
CFS-T RR 50	30	9	50-51	50	56	71	85	60	4 pcs. M4x40
CFS-T RR 70	40	16	70-72	70	76	71	85	60	4 pcs. M5x40
CFS-T RR 100	60	36	100-103	100	111	71	85	60	4 pcs. M6x80
CFS-T RR 125	80	64	125-128	125	135	76	95	60	8 pcs. M6x90
CFS-T RR 150	90	81	150-154	150	160	76	95	60	8 pcs. M8x90
CFS-T RR 200	120	144	200-205	200	210	76	95	60	8 pcs. M8x90

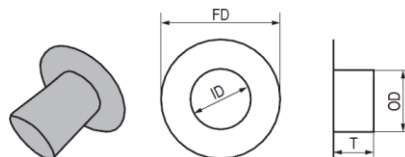
B

Type	Filler	Maximum cable layer
CFS-T RR 50	1 pcs. 30/0 or 4 pcs. 15/0	4 cables 3-9 mm dia. or 1 cable up to 23 mm dia.
CFS-T RR 70	4 pcs. 20/0	4 cables 3-12 mm dia. or 1 cable up to 33 mm dia.
CFS-T RR 100	4 pcs. 30/0	9 cables 5-12 mm dia. or 1 cable 34-51 mm dia.
CFS-T RR 125	16 pcs. 20/0	16 cables 5-12 mm dia. or 4 cables 13-33 mm dia. or 1 cable up to 54 mm dia.
CFS-T RR 150	9 pcs. 30/0	16 cables 5-12 mm dia. or 9 cables 13-23 mm dia. or 1 cable up to 78 mm dia.
CFS-T RR 200	16 pcs. 30/0	36 cables 5-12 mm dia. or 16 cables 13-23 mm dia. or 9 cables 23-33 mm dia. or 4 cables 34-51 mm dia. or 1 cable up to 99 mm dia.

CFS-T SL sleeves

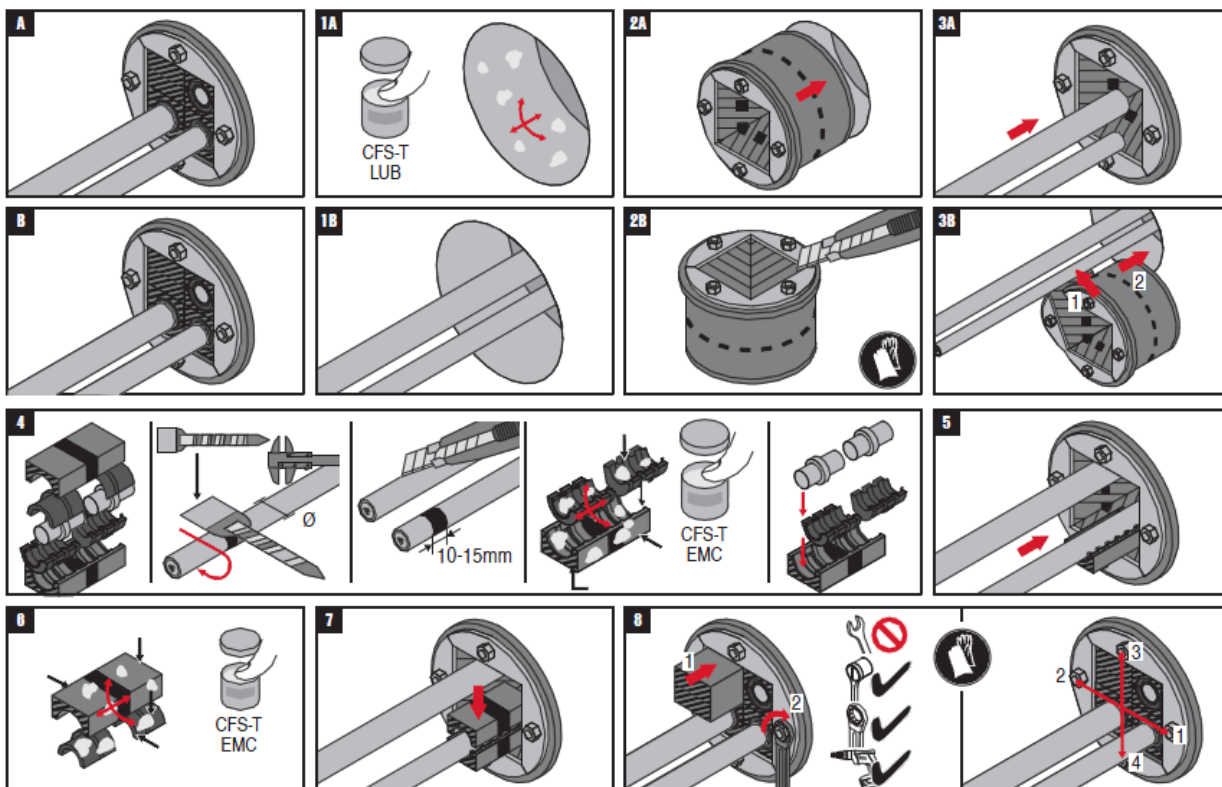


CFS-T SL Sleeves



Sleeve type*	To be used for	ID	OD	FD	T
CFS-T SL 50 / CFS-T SLF 50	CFS-T RRS 50	50.6 mm	57.0 mm	157 mm	70 mm
CFS-T SL 70 / CFS-T SLF 70	CFS-T RRS 70	70.3 mm	76.1 mm	176 mm	70 mm
CFS-T SL 100 / CFS-T SLF 100	CFS-T RRS 70	102.2 mm	108.0 mm	208 mm	70 mm
CFS-T SL 125 / CFS-T SLF 125	CFS-T RRS 125	125.0 mm	133.0 mm	233 mm	70 mm
CFS-T SL 150 / CFS-T SLF 150	CFS-T RRS 150	150.0 mm	159.0 mm	259 mm	70 mm
CFS-T SL 200 / CFS-T SLF 200	CFS-T RRS 200	203.1 mm	219.1 mm	319 mm	70 mm

Instruction for use CFS-T RR EMC



Ordering designation	Package contents	Item no.
Cable modules		
CFS-T EMC 20/0+5-12 cable modules incl. adapter and core modules	36	2014868
CFS-T EMC 30/0+13-23 cable modules incl. adapter and core modules	16	2014869
CFS-T EMC 40/0+23-33 cable modules incl. adapter and core modules	9	2014870
CFS-T EMC 60/0+34-51 cable modules incl. adapter and core modules	4	2014871
CFS-T EMC 90/0+52-78 cable modules incl. adapter and core modules	1	2014872
CFS-T EMC 120/0+79-99 cable modules incl. adapter and core modules	1	2014873
Filler modules		
CFS-T FB EMC 120x5/0 filler module	36	2014874
CFS-T FB EMC 120x10/0 filler module	18	2014875
CFS-T FB EMC 15/0 filler module	96	2014876
CFS-T FB EMC 20/0 filler module	54	2014877
CFS-T FB EMC 30/0 filler module	24	2014878
CFS-T FB EMC 30/0R30 filler module	16	2014879
Wedge seals and anchor plates		
CFS-T WD 120 EMC GS wedge compression kit comprising 1 wedge seal (galvanized), 4 anchor plates (galvanized), 1 fixing anchor plate (galvanized), EMC contact paste (30 g)	1	2020707
CFS-T WD 120 EMC S/S wedge compression kit comprising 1 wedge seal (stainless steel material 1.4571 / V4A (AISI 316Ti)), 4 anchor plates (stainless steel material 1.4301(AISI 304)), 1 fixing anchor plate (stainless steel material 1.4301 (AISI 304)), EMC contact paste (30 g)	1	2020708
CFS-T WD 120 EMC AL wedge compression kit comprising 1 wedge seal (stainless steel material 1.4571 / V4A (AISI 316Ti)), 5 anchor plates (aluminium), EMC contact paste (30 g)	1	2020708
CFS-T AP 120 GS anchor plate set comprising 9 anchor plates (galvanized), 1 fixing anchor plate (galvanized)	1	2014882
CFS-T AP 120 S/S anchor plate set comprising 9 anchor plates (stainless steel material 1.4301 (AISI 304)), 1 fixing anchor plate (stainless steel material 1.4301 (AISI 304))	1	2014883
CFS-T AP 120 AL anchor plate set comprising 10 anchor plates (aluminium)	1	2016767
CFS-T FAP 120 S/S fixing anchor plate set comprising 10 anchor plates (stainless steel material 1.4301 (AISI 304))	1	2014923
Accessories		
CFS-T SQU module squeezer	1	2014885
CFS-T PUL wedge puller	1	2014886
CFS-T LUB 500 g lubricant	1	2042741
Plug seals		
CFS-T RR-50 EMC GS steel, galvanized	1	2014904
CFS-T RR-50 EMC S/S stainless steel material 1.4571 / V4A (AISI 316Ti)	1	2014905
CFS-T RR-70 EMC GS steel, galvanized	1	2014906
CFS-T RR-70 EMC S/S stainless steel material 1.4571 / V4A (AISI 316Ti)	1	2014907
CFS-T RR-100 EMC GS steel, galvanized	1	2014910
CFS-T RR-100 EMC S/S stainless steel material 1.4571 / V4A (AISI 316Ti)	1	2014911
CFS-T RR-125 EMC GS steel, galvanized	1	2014914
CFS-T RR-125 EMC S/S stainless steel material 1.4571 / V4A (AISI 316Ti)	1	2014915
CFS-T RR-150 EMC GS steel, galvanized	1	2014916
CFS-T RR-150 EMC S/S stainless steel material 1.4571 / V4A (AISI 316Ti)	1	2014917
CFS-T RR-200 EMC GS steel, galvanized	1	2014920
CFS-T RR-200 EMC S/S stainless steel material 1.4571 / V4A (AISI 316Ti)	1	2014921
Sleeves made from mild steel primed		
CFS-T SL 50 MSP sleeve	1	2044651
CFS-T SL 70 MSP sleeve	1	2044652
CFS-T SL 100 MSP sleeve	1	2044653
CFS-T SL 125 MSP sleeve	1	2044654
CFS-T SL 150 MSP sleeve	1	2044655
CFS-T SL 200 MSP sleeve	1	2044656
Sleeves with flange made from mild steel primed		
CFS-T SLF 50 MSP sleeve	1	2044657
CFS-T SLF 70 MSP sleeve	1	2044658
CFS-T SLF 100 MSP sleeve	1	2044659
CFS-T SLF 125 MSP sleeve	1	2044660
CFS-T SLF 150 MSP sleeve	1	2044661
CFS-T SLF 200 MSP sleeve	1	2044662
Sleeves made from stainless steel		
CFS-T SL 50 S/S sleeve	1	2044663
CFS-T SL 70 S/S sleeve	1	2044664
CFS-T SL 100 S/S sleeve	1	2044665
CFS-T SL 125 S/S sleeve	1	2044666
CFS-T SL 150 S/S sleeve	1	2044667
CFS-T SL 200 S/S sleeve	1	2044668
Sleeves with flange made from stainless steel		
CFS-T SLF 50 S/S sleeve	1	2044669
CFS-T SLF 70 S/S sleeve	1	2044670
CFS-T SLF 100 S/S sleeve	1	2044671
CFS-T SLF 125 S/S sleeve	1	2044672
CFS-T SLF 150 S/S sleeve	1	2044673
CFS-T SLF 200 S/S sleeve	1	2044674