

## INTENDED USE

Angle bracket for attaching cable ladders or cable trays vertically to handrail supports.

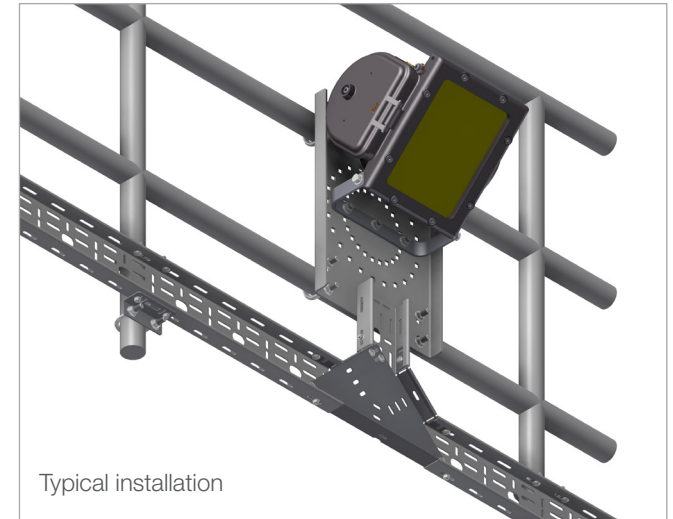
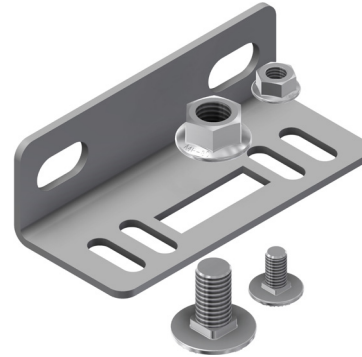
## INSTRUCTION FOR USE

Fit the bracket to the support using a U bolt suitable for the shape or diameter of the support. The bracket can be insulated from the support using PTFE tape around the handrail support if required.

Attach the bracket to the support and loosely bolt the cable ladder or tray using the self locking bolts supplied (M6 for SPB cable tray, M10 for OE ladder).

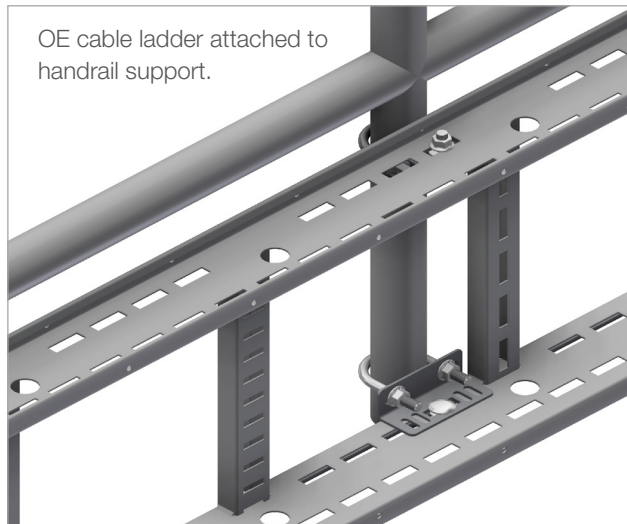
Adjust and tighten securely.

Interface bracket includes 1xM10 & 1xM6 self locking bolt set.

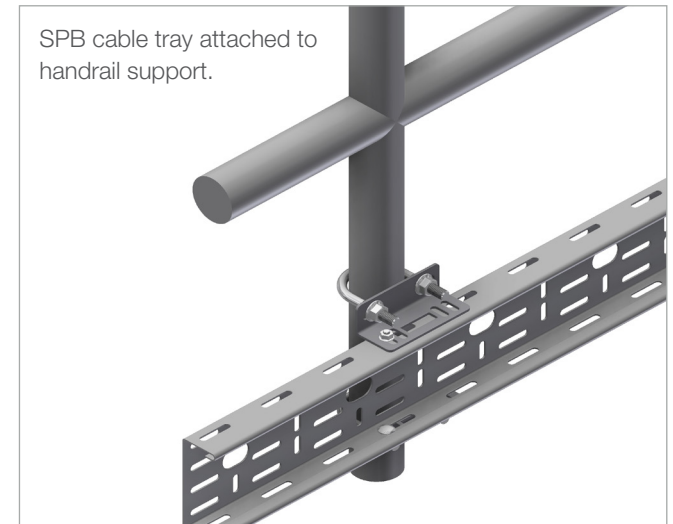


Typical installation

OE cable ladder attached to handrail support.



SPB cable tray attached to handrail support.



User Guide for Bolts:  
Recommended Torque