

## INTENDED USE

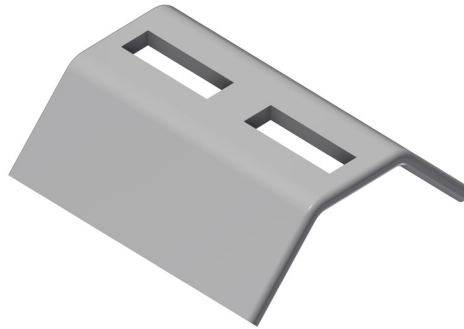
Welded brackets suitable where space is limited or compact design is required. Compatible with Mekano® CH50-2T and CH100-2T.

## INSTRUCTION FOR USE

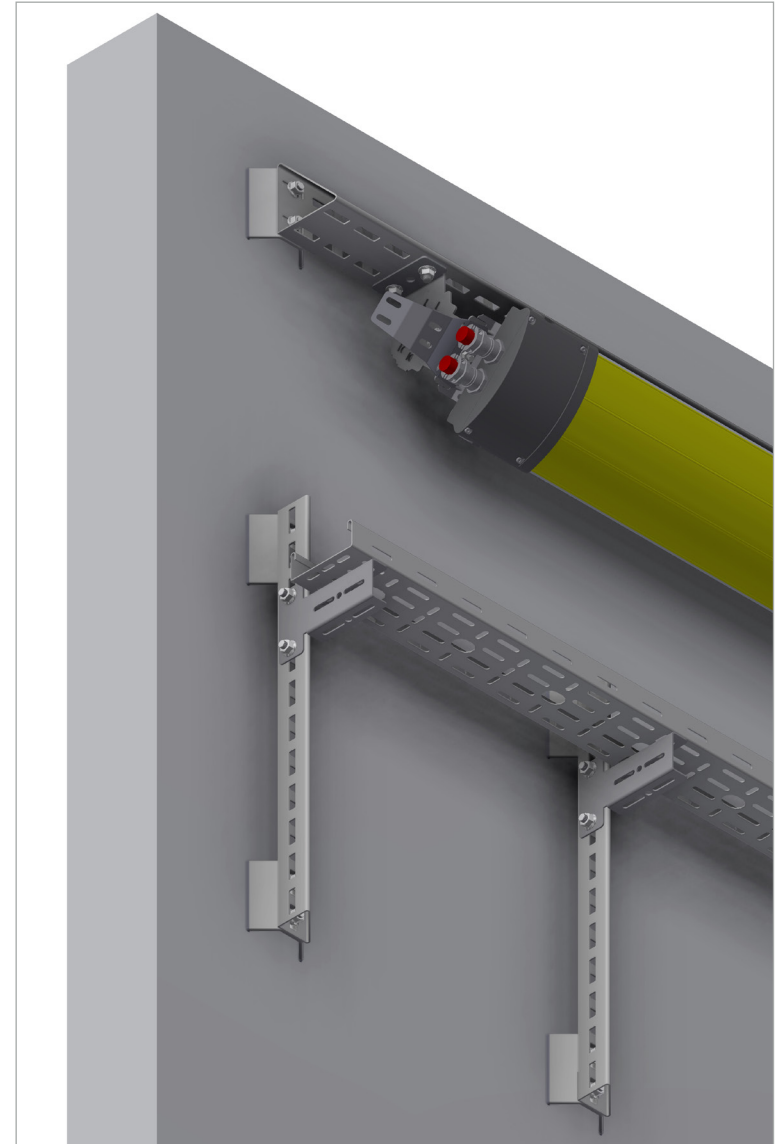
Weld the bracket to the structure and paint. Sand/grind the paint on the bolting surfaces to use as earth connection.

Suitable for use with M10 self locking bolts.

Suitable for ceiling, floor and walls.



For use with Mekano® CH50-2T and CH100-2T.



User Guide for Bolts:  
Recommended Torque