

## INTENDED USE

OE Flat Elbows, Tee-Pieces and Cross-Pieces with the same or different angle or radius can all be connected. However, fittings with radius 300 mm do not have integrated splice connectors. When connecting two R300 Flat Elbows or when connecting the inside curves of R300 Tee- and Cross-pieces, a short version splice connector is required. Note, fasteners are not included.

## INSTRUCTION FOR USE

When fitting two flat elbows with radius 300 mm together, use two short splice connectors. When fitting 300 mm radius flat elbow or tee-piece to a straight ladder, a short splice connector is required for the inside curves, and a standard splice for the outside curve or straight part of tee-piece. R300 Cross pieces require eight short splice connectors.

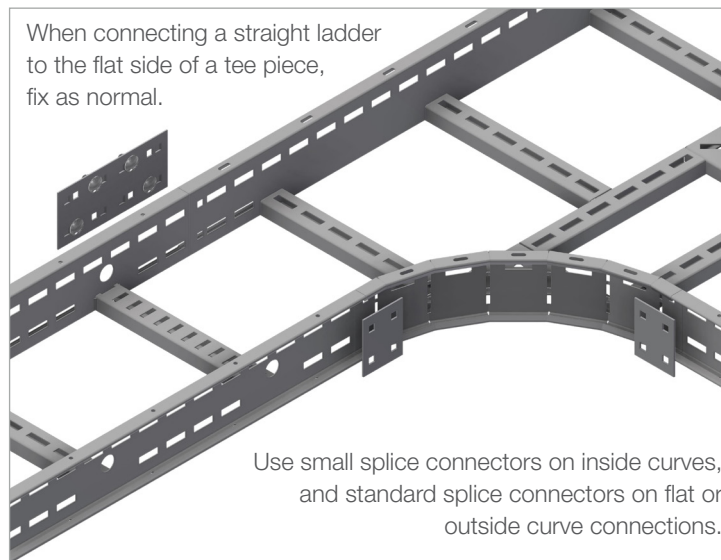
Attach the parts together loosely using M10 self locking bolts. Adjust and tighten securely.



When fitting two Flat Elbows with radius 300 mm together, use two short splice connectors

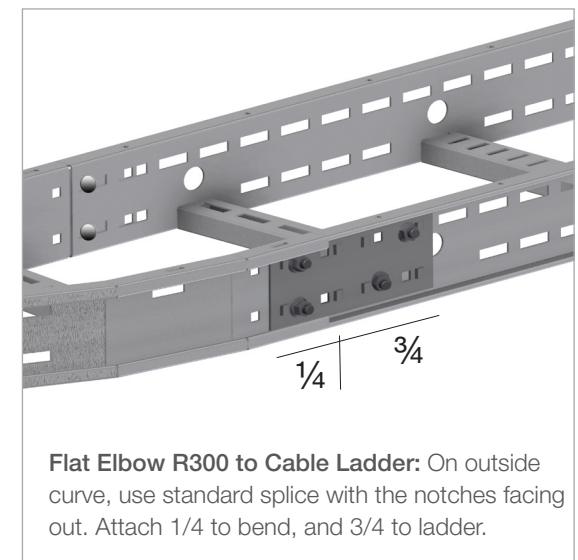


Short splice connectors are required for R300 inside curves



When connecting a straight ladder to the flat side of a tee piece, fix as normal.

Use small splice connectors on inside curves, and standard splice connectors on flat or outside curve connections.



**Flat Elbow R300 to Cable Ladder:** On outside curve, use standard splice with the notches facing out. Attach 1/4 to bend, and 3/4 to ladder.



User Guide for Bolts:  
Recommended Torque